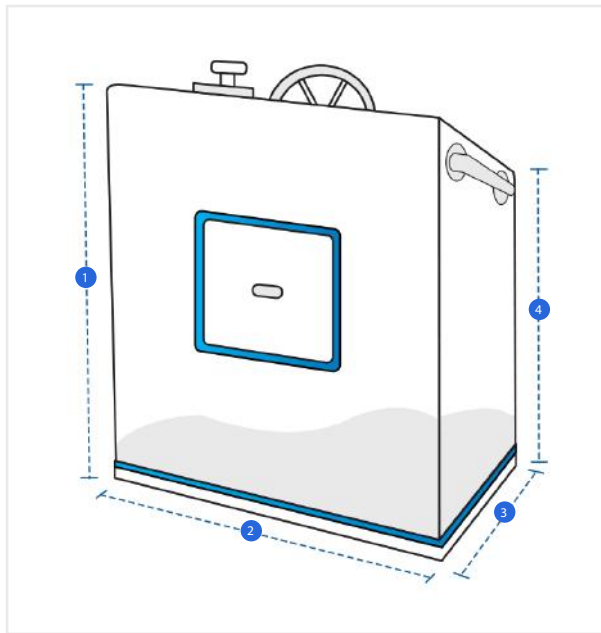


How to Measure Custom Boat Center Console Covers

Measurement Instruction

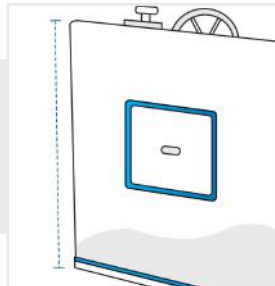
- ✓ Give exact measurement from edge to edge.
- ✓ We add 1" to 2" leeway on the given width/depth for easy pull-in and pull-out.
- ✓ The height dimensions will remain same as provided by you.



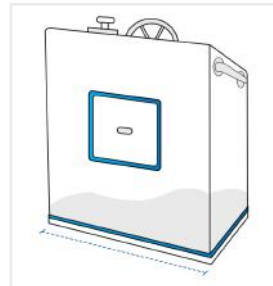
Measurement (Inches)

1. Height	<input type="text"/>	2. Width	<input type="text"/>
3. Depth	<input type="text"/>	4. Front Height	<input type="text"/>

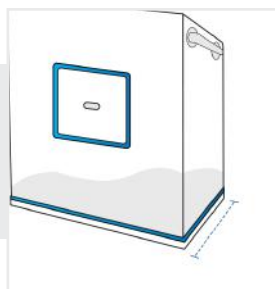
1. Height:
Height of the Custom Boat Center Console



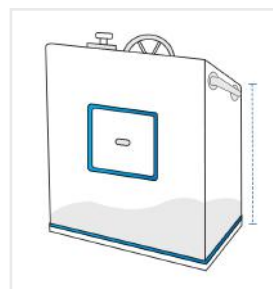
2. Width:
Width of the Custom Boat Center Console



3. Depth:
Depth of the Custom Boat Center Console



4. Front Height:
Front Height of the Custom Boat Center Console



We encourage you to upload the image of the article you need the cover for - this helps our team ensure covers are designed keeping your requirements in mind.