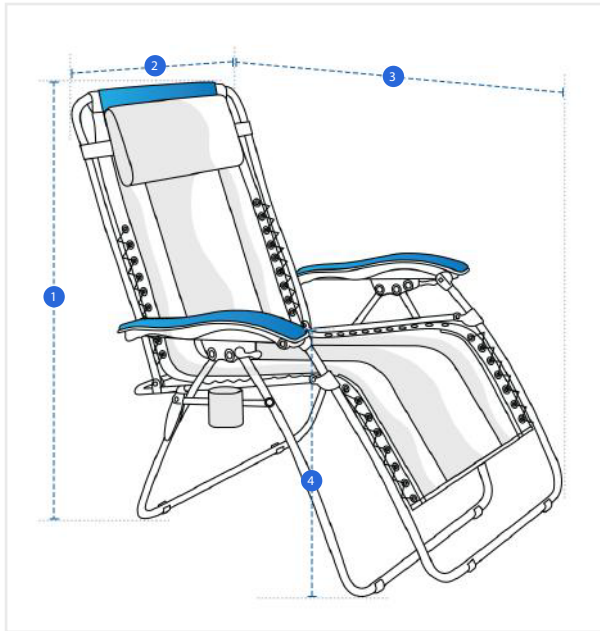


## How to Measure Zero Gravity Chair Covers

### Measurement Instruction

- ✓ Give exact measurement from edge to edge.
- ✓ We add 2.5 to 5 cm leeway on the given width/depth for easy pull-in and pull-out.
- ✓ The height dimensions will remain same as provided by you.



### Measurement (cm)

1. Height

2. Width

3. Depth

4. Front Height

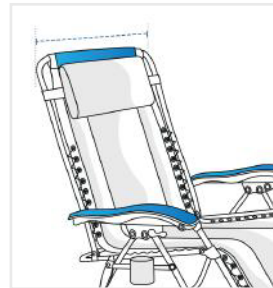
#### 1. Height:

Height of the Zero Gravity Chair



#### 2. Width:

Width of the Zero Gravity Chair



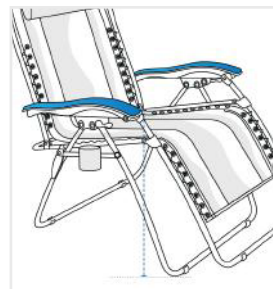
#### 3. Depth:

Depth of the Zero Gravity Chair



#### 4. Front Height:

Front Height of Zero Gravity Chair



We encourage you to upload the image of the article you need the cover for - this helps our team ensure covers are designed keeping your requirements in mind.