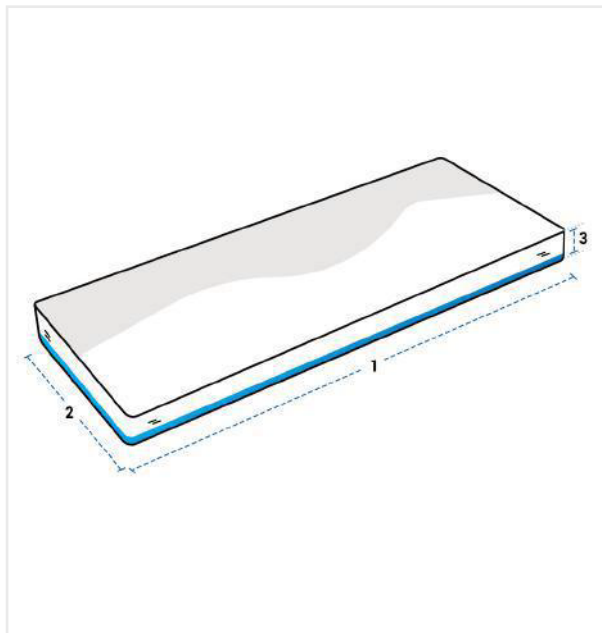


# How to Measure Window Seat Cushion Cover

## Measurement Instruction

- ✓ Give exact measurement from edge to edge.
- ✓ We add 0 to -2.5 cm size variance on the given width/depth for perfect fit.
- ✓ The height dimensions will remain same as provided by you.



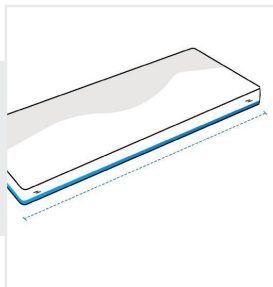
### Measurement (cm)

1. Length

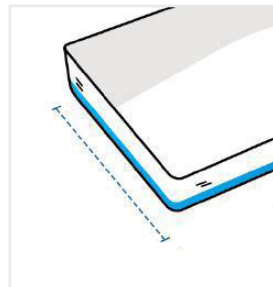
2. Width

3. Thickness

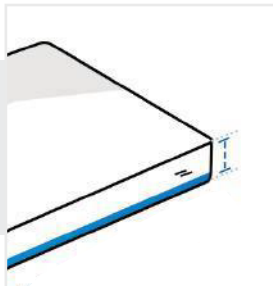
**1. Length:**  
Length of the Window  
Seat Cushion



**2. Width:**  
Width of the Window  
Seat Cushion



**3. Thickness:**  
Thickness of the Window  
Seat Cushion



We encourage you to upload the image of the article you need the cover for - this helps our team ensure covers are designed keeping your requirements in mind.