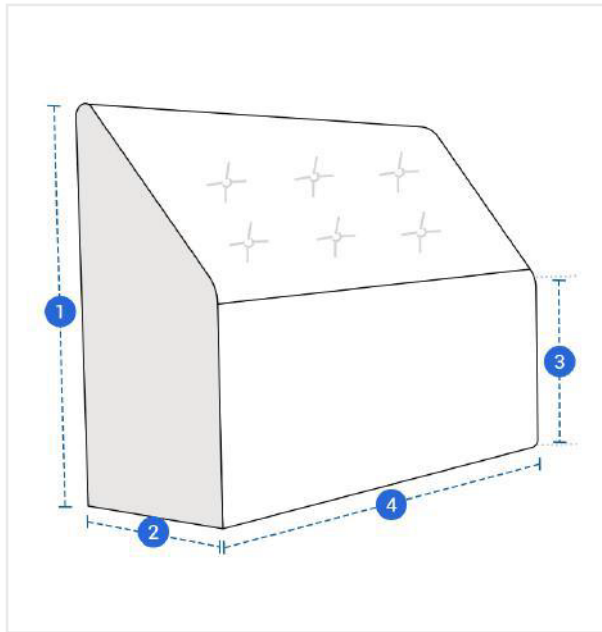


How to Measure Wedge Cushion Cover

Measurement Instruction

- ✓ Give exact measurement from edge to edge.
- ✓ We add 0 to -2.5 cm size variance on the given width/depth for perfect fit.
- ✓ The height dimensions will remain same as provided by you.



Measurement (cm)

1. Back Height

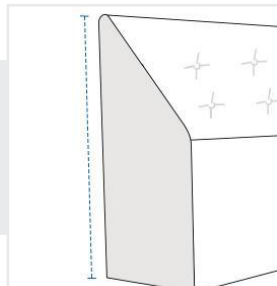
2. Width

3. Front Height

4. Length

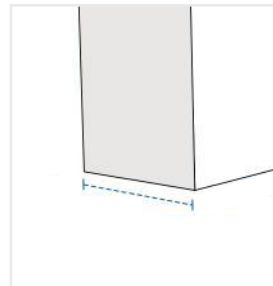
1. Back Height:

Back Height of the Wedge Cushion



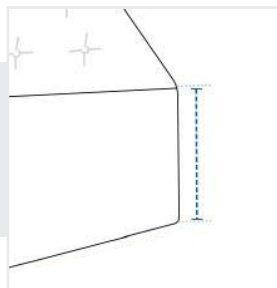
2. Width:

Width of the Wedge Cushion



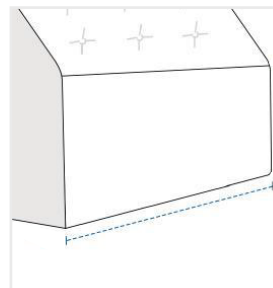
3. Front Height:

Front Height of the Wedge Cushion



4. Length:

Length of the Wedge Cushion



We encourage you to upload the image of the article you need the cover for - this helps our team ensure covers are designed keeping your requirements in mind.