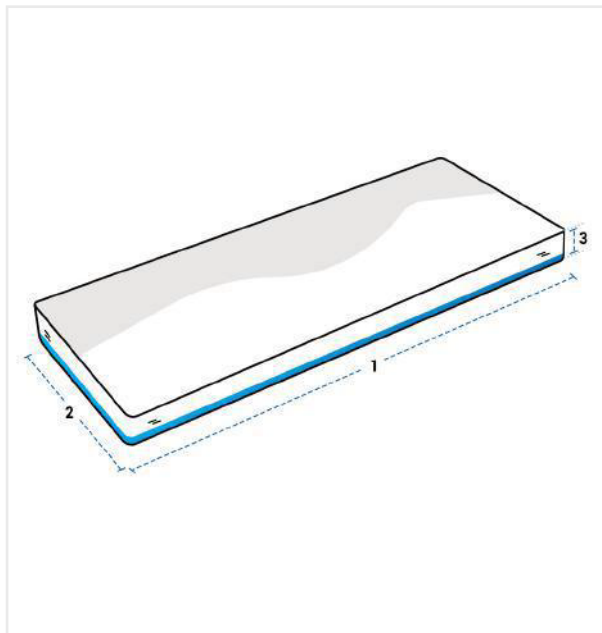


# How to Measure Swing Cushion Cover

## Measurement Instruction

- ✓ Give exact measurement from edge to edge.
- ✓ We add 0 to -2.5 cm size variance on the given width/depth for perfect fit.
- ✓ The height dimensions will remain same as provided by you.



### Measurement (cm)

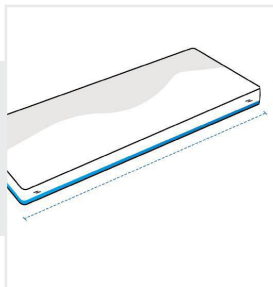
1. Length

2. Width

3. Thickness

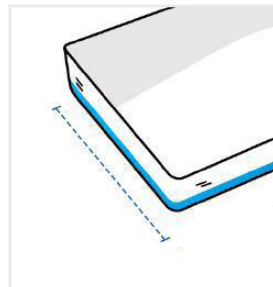
### 1. Length:

Length of the Swing Cushion



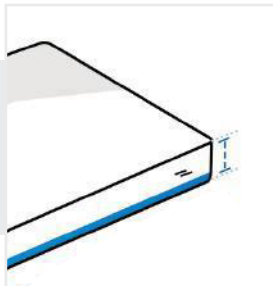
### 2. Width:

Width of the Swing Cushion



### 3. Thickness:

Thickness of the Swing Cushion



We encourage you to upload the image of the article you need the cover for - this helps our team ensure covers are designed keeping your requirements in mind.