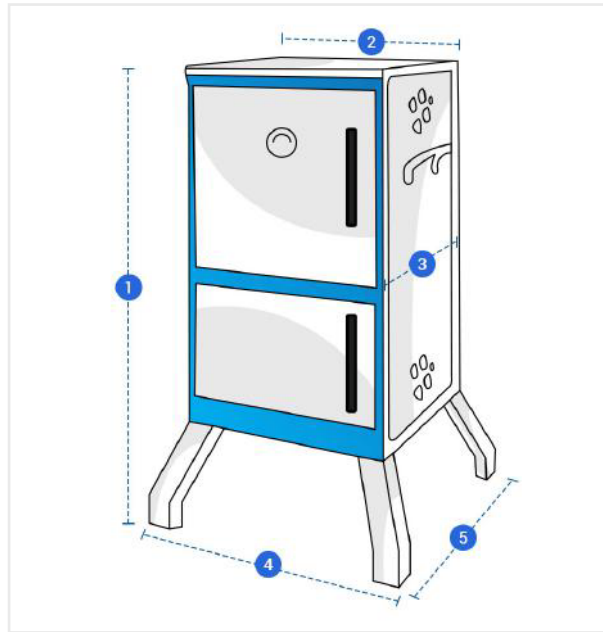


How to Measure Square/Rectangle Smoker Covers

Measurement Instruction

- ✓ Give exact measurement from edge to edge.
- ✓ We add 2.5 to 5 cm leeway on the given width/depth for easy pull-in and pull-out.
- ✓ The height dimensions will remain same as provided by you.

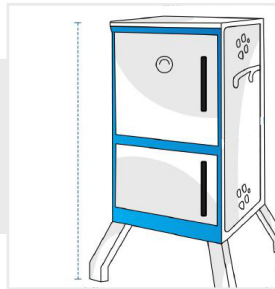


Measurement (cm)

1. Height	<input type="text"/>	2. Top Width	<input type="text"/>
3. Top Depth	<input type="text"/>	4. Bottom Width	<input type="text"/>
5. Bottom Depth	<input type="text"/>		

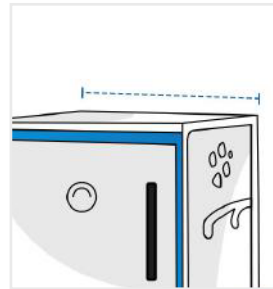
1. Height:

Height of the Crescent Firewood Rack



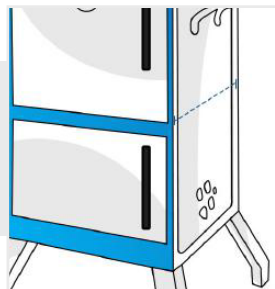
2. Top Width:

Depth of the Crescent Firewood Rack



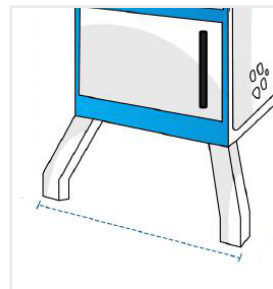
3. Top Depth:

Width of the Crescent Firewood Rack



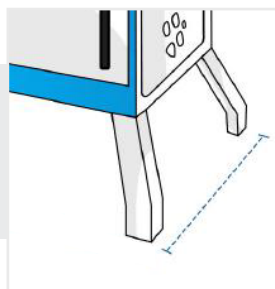
4. Bottom Width:

Depth of the Crescent Firewood Rack



5. Bottom Depth:

Width of the Crescent Firewood Rack



We encourage you to upload the image of the article you need the cover for - this helps our team ensure covers are designed keeping your requirements in mind.