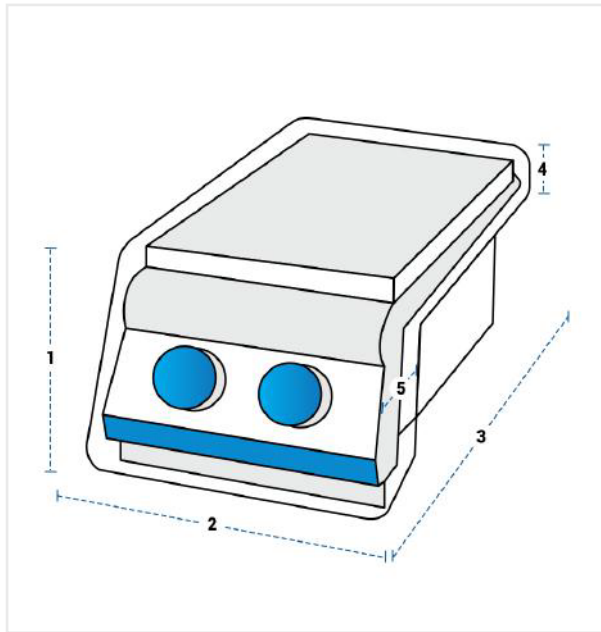


How to Measure Side Burner Cover

Measurement Instruction

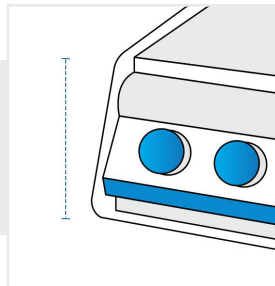
- ✓ Give exact measurement from edge to edge.
- ✓ We add 1.3 to 3.8 cm leeway on the given width/depth for easy pull-in and pull-out.
- ✓ The height dimensions will remain same as provided by you.



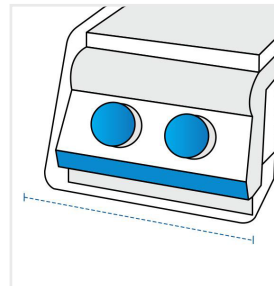
Measurement (cm)

1. Dropdown Height	<input type="text"/>	2. Width	<input type="text"/>
3. Total Depth	<input type="text"/>	4. Back Height	<input type="text"/>
5. Depth #1	<input type="text"/>		

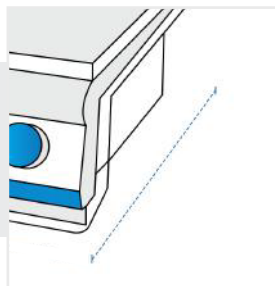
1. Dropdown Height:
Dropdown Height of the Side Burner.



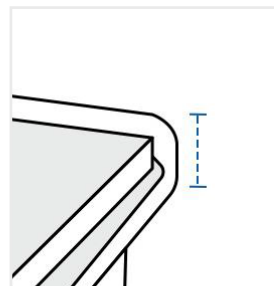
2. Width:
Width of the Side Burner.



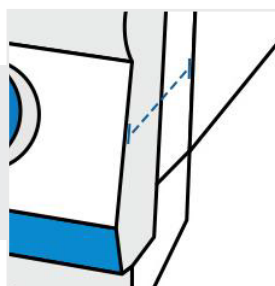
3. Total Depth:
Total Depth of the Side Burner.



4. Back Height:
Back Height of the Side Burner.



5. Depth #1:
Depth (side #1)



We encourage you to upload the image of the article you need the cover for - this helps our team ensure covers are designed keeping your requirements in mind.