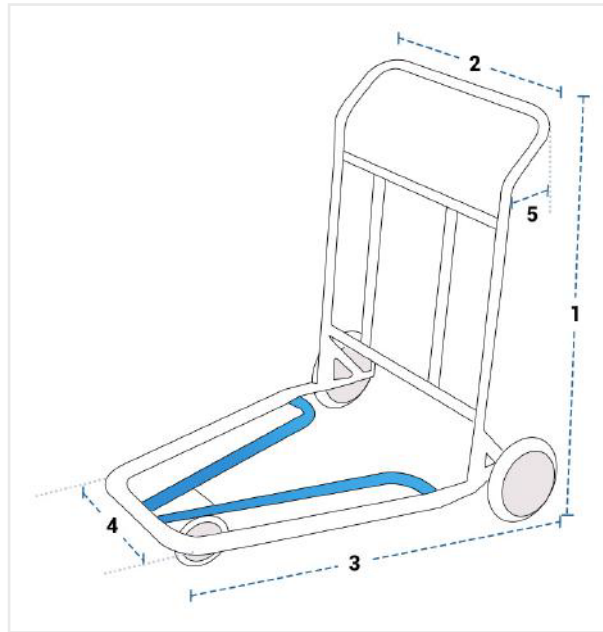


How to Measure Self Service Luggage Cart Cover

Measurement Instruction

- ✓ Give exact measurement from edge to edge.
- ✓ We add 2.5 to 5 cm leeway on the given width/depth for easy pull-in and pull-out.
- ✓ The height dimensions will remain same as provided by you.



Measurement (cm)

1. Height

2. Back Width

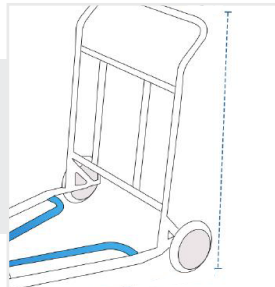
3. Depth

4. Front Width

5. Depth#1

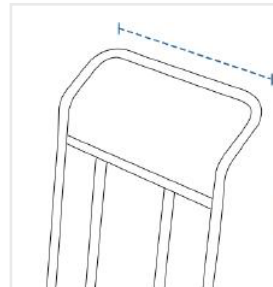
1. Height:

Height of the Self Service Luggage Cart



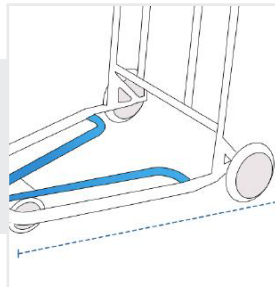
2. Back Width:

Back Width of the Self Service Luggage Cart



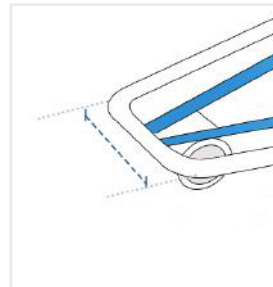
3. Depth:

Depth of the Self Service Luggage Cart



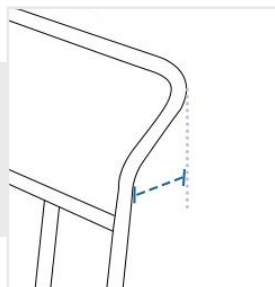
4. Front Width:

Front Width of the Self Service Luggage Cart



5. Depth#1:

Depth (side#1)



We encourage you to upload the image of the article you need the cover for - this helps our team ensure covers are designed keeping your requirements in mind.