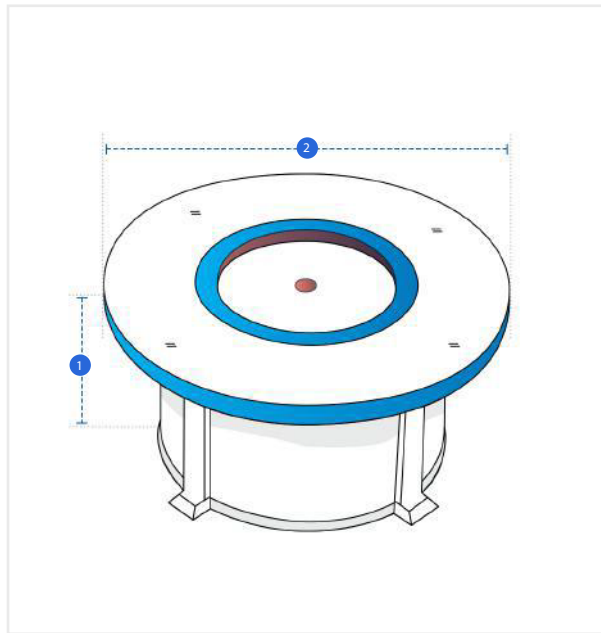


How to Measure Round Fire Pit Covers - Design 4

Measurement Instruction

- ✓ Give exact measurement from edge to edge.
- ✓ "We add upto 5 cm leeway on the given width/depth for easy pull-in and pull-out."
- ✓ The height dimensions will remain same as provided by you.



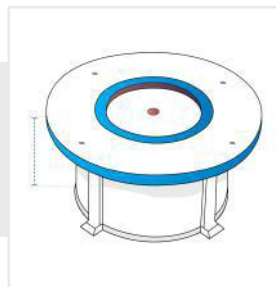
Measurement (cm)

1. Height

2. Diameter

1. Height:

Height of the Fire pit



2. Diameter:

Diameter of the Fire pit

