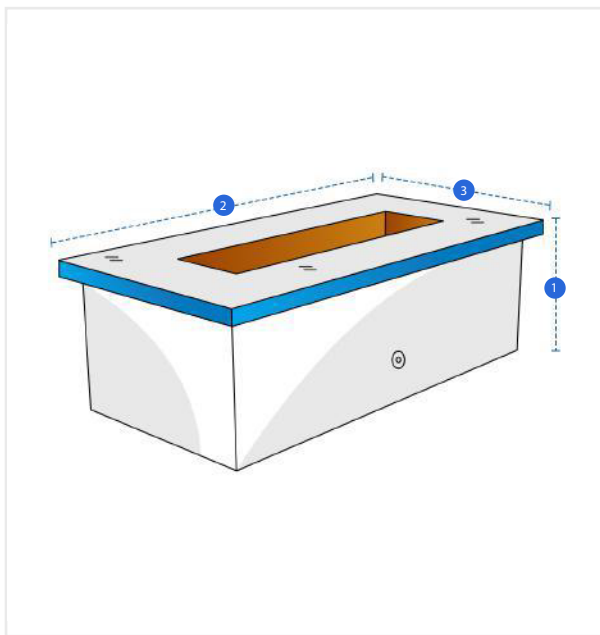


How to Measure Rectangular Fire Pit Covers - Design 1

Measurement Instruction

- ✓ Give exact measurement from edge to edge.
- ✓ "We add upto 5 cm leeway on the given width/depth for easy pull-in and pull-out."
- ✓ The height dimensions will remain same as provided by you.



Measurement (cm)

1. Height

2. Width

3. Depth

1. Height:

Height of the Fire pit



2. Width:

Width of the Fire pit



3. Depth:

Depth fo the Fire pit



We encourage you to upload the image of the article you need the cover for - this helps our team ensure covers are designed keeping your requirements in mind.