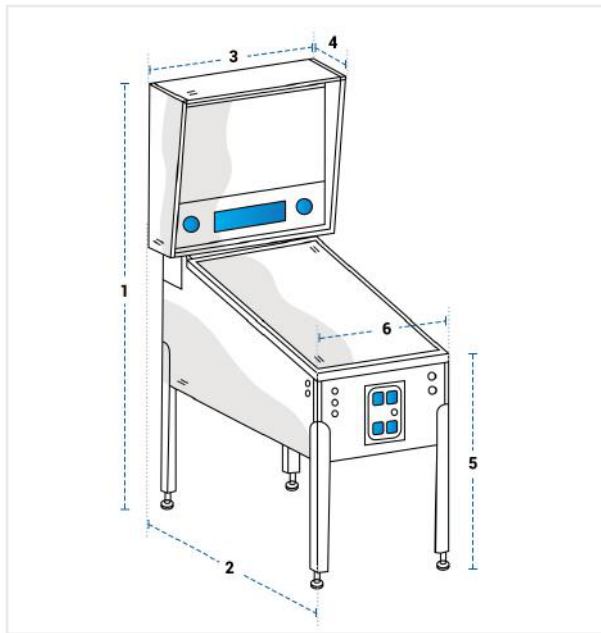


How to Measure Pinball Game Cover

Measurement Instruction

- ✓ Give exact measurement from edge to edge.
- ✓ We add 2.5 to 5 cm leeway on the given width/depth for easy pull-in and pull-out.
- ✓ The height dimensions will remain same as provided by you.



Measurement (cm)

1. Back Height

2. Depth

3. Back Width

4. Top Depth

5. Front Height

6. Front Width

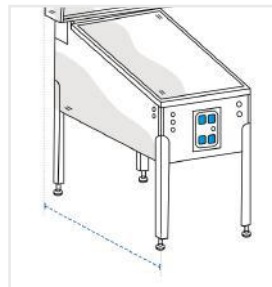
1. Back Height:

Back Height of the Pinball Game



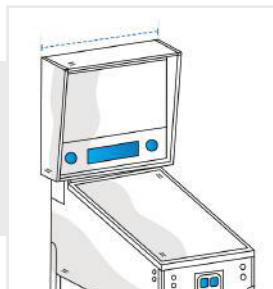
2. Depth:

Depth of the Pinball Game



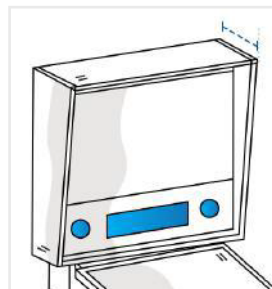
3. Back Width:

Back Width of the Pinball Game



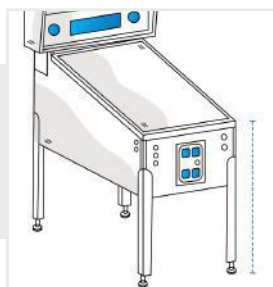
4. Top Depth:

Top Depth of the Pinball Game



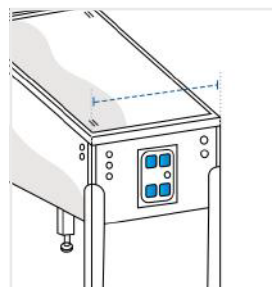
5. Front Height:

Front Height of the Pinball Game



6. Front Width:

Front Width of the Pinball Game



We encourage you to upload the image of the article you need the cover for - this helps our team ensure covers are designed keeping your requirements in mind.