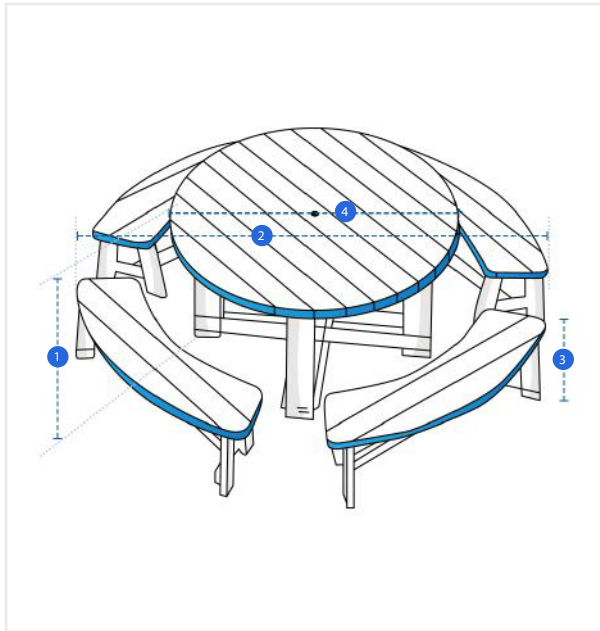


How to Measure Picnic Table w/ Chairs Set Covers - Design 2

Measurement Instruction

- ✓ Give exact measurement from edge to edge.
- ✓ We add 2.5 to 5 cm leeway on the given width/depth for easy pull-in and pull-out.
- ✓ The height dimensions will remain same as provided by you.



Measurement (cm)

1. Total Height

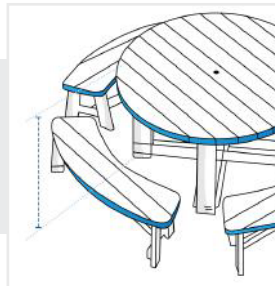
2. Total Width

3. Bench Height

4. Table Diameter

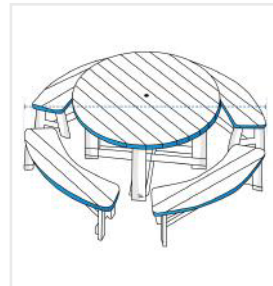
1. Total Height:

Total Height of the Picnic Table w/ Chairs Set



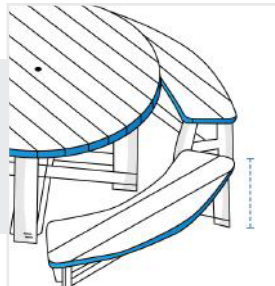
2. Total Width:

Total Width of the Picnic Table w/ Chairs Set



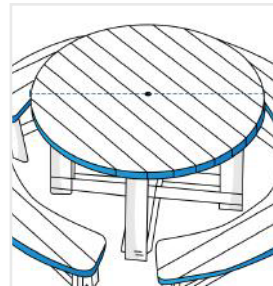
3. Bench Height:

Height of the Bench



4. Table Diameter:

Diameter of the table



We encourage you to upload the image of the article you need the cover for - this helps our team ensure covers are designed keeping your requirements in mind.