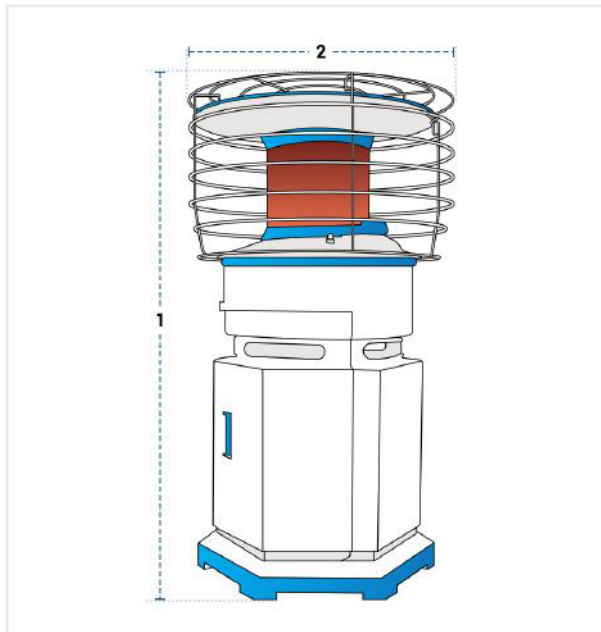


## How to Measure Patio Heater Covers - Design 4

### Measurement Instruction

- ✓ Give exact measurement from edge to edge.
- ✓ We add 2.5 to 5 cm leeway on the given width/depth for easy pull-in and pull-out.
- ✓ The height dimensions will remain same as provided by you.

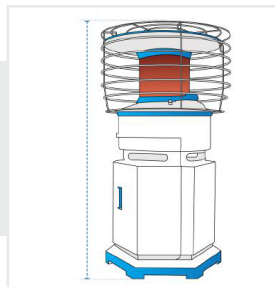


### Measurement (cm)

1. Height

2. Diameter

**1. Height:**  
Height of the Patio Heater



**2. Diameter:**  
Diameter of the Patio Heater

