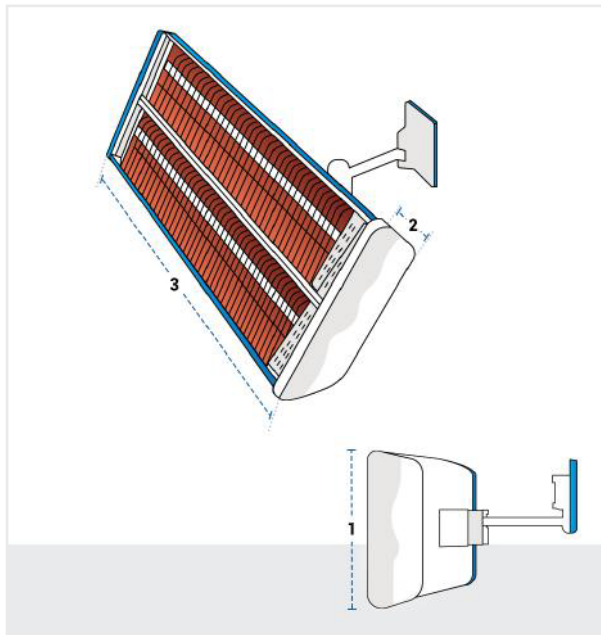


# How to Measure Patio Heater Covers - Design 3

## Measurement Instruction

- ✓ Give exact measurement from edge to edge.
- ✓ We add 2.5 to 5 cm leeway on the given width/depth for easy pull-in and pull-out.
- ✓ The height dimensions will remain same as provided by you.



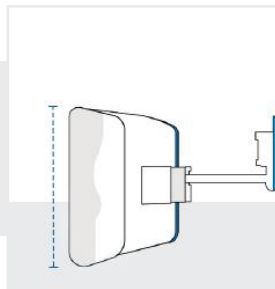
### Measurement (cm)

1. Height

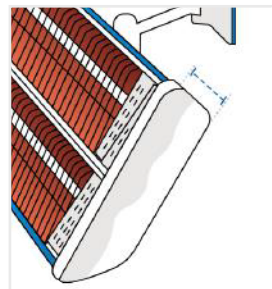
2. Depth

3. Width

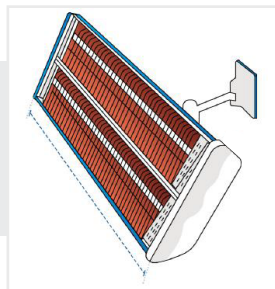
**1. Height:**  
Height of the Patio Heater



**2. Depth:**  
Depth of the Patio Heater



**3. Width:**  
Width of the Patio Heater



We encourage you to upload the image of the article you need the cover for - this helps our team ensure covers are designed keeping your requirements in mind.