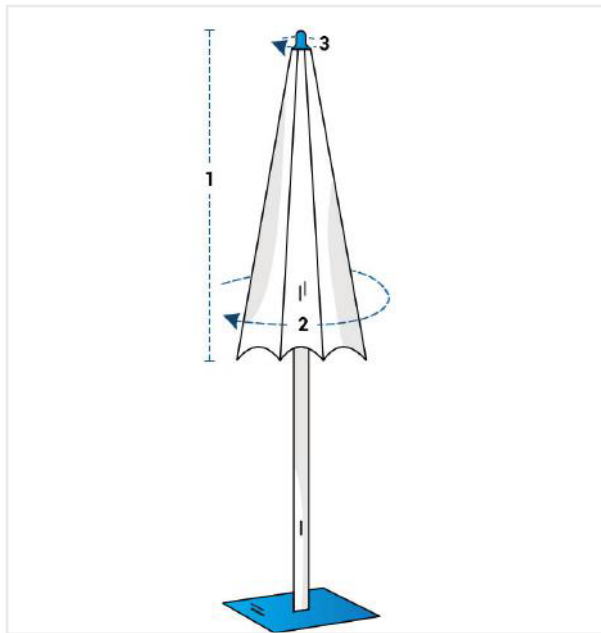


How to Measure Umbrella Covers

Measurement Instruction

- ✓ Give exact measurement from edge to edge.
- ✓ We add 2.5 to 5 cm leeway on the given width/depth for easy pull-in and pull-out.
- ✓ The height dimensions will remain same as provided by you.



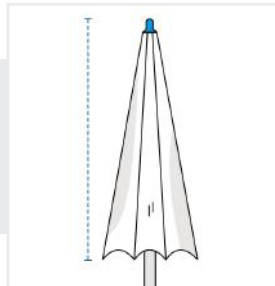
Measurement (cm)

1. Height

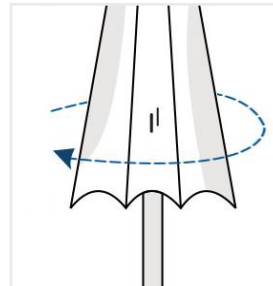
2. Bottom Circumference

3. Top Circumference

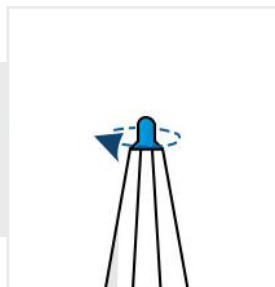
1. Height:
Height of the Umbrella



2. Bottom Circumference:
Bottom Circumference of the Umbrella



3. Top Circumference:
Top Circumference of the Umbrella



We encourage you to upload the image of the article you need the cover for - this helps our team ensure covers are designed keeping your requirements in mind.