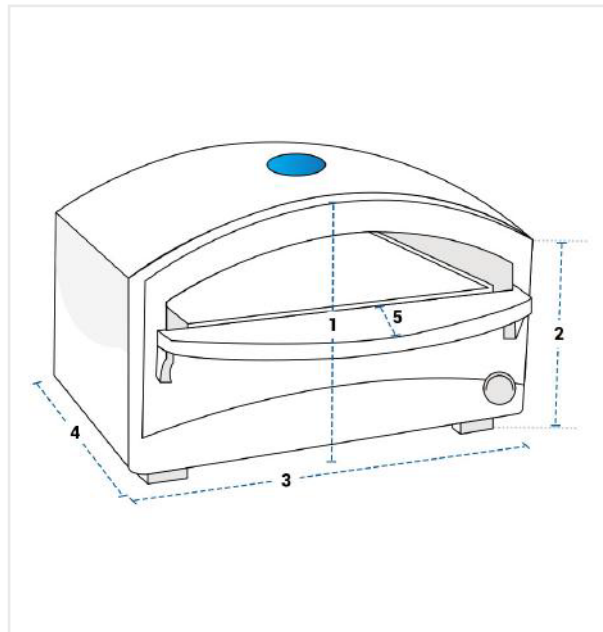


# How to Measure Outdoor Pizza Oven Covers - Design 3

## Measurement Instruction

- ✓ Give exact measurement from edge to edge.
- ✓ We add 2.5 to 5 cm leeway on the given width/depth for easy pull-in and pull-out.
- ✓ The height dimensions will remain same as provided by you.



### Measurement (cm)

1. Height

2. Height #1

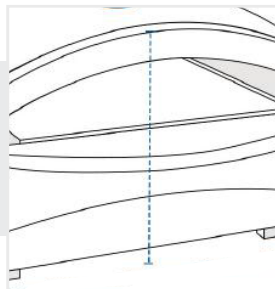
3. Width

4. Depth

5. Depth #1

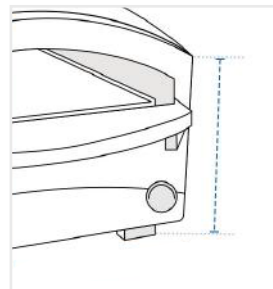
**1. Height:**

Height of the Outdoor Pizza Oven



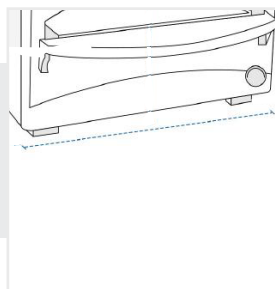
**2. Height #1:**

Height (side of #1) of the Outdoor Pizza Oven



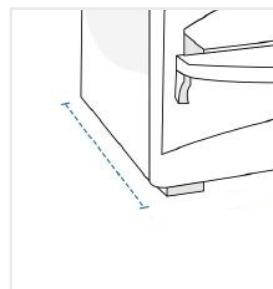
**3. Width:**

Width of the Outdoor Pizza Oven



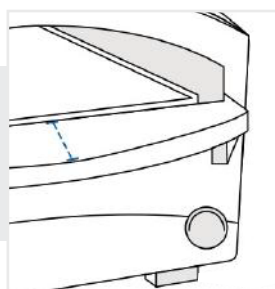
**4. Depth:**

Depth of the Outdoor Pizza Oven



**5. Depth #1:**

Depth (side of #1) of the Outdoor Pizza Oven



We encourage you to upload the image of the article you need the cover for - this helps our team ensure covers are designed keeping your requirements in mind.