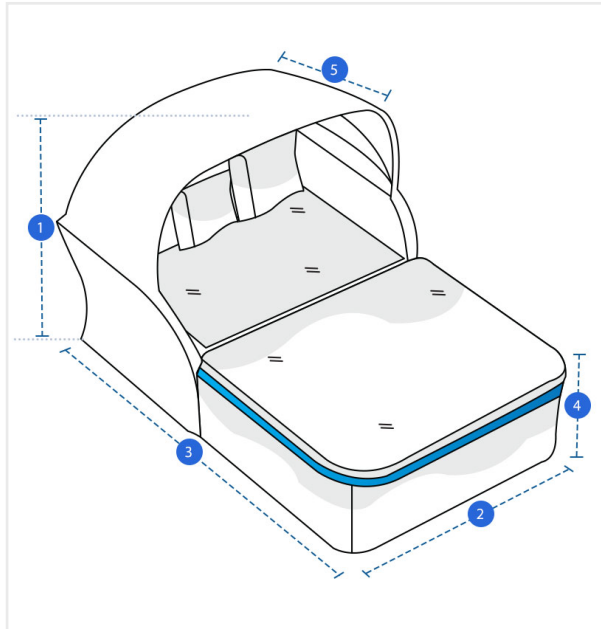


How to Measure Outdoor Daybed Covers - Design 9

Measurement Instruction

- ✓ Give exact measurement from edge to edge.
- ✓ We add 2.5 to 5 cm leeway on the given width/depth for easy pull-in and pull-out.
- ✓ The height dimensions will remain same as provided by you.



Measurement (cm)

1. Height

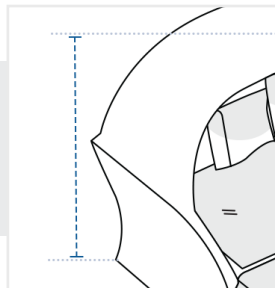
3. Depth

5. Hood Depth

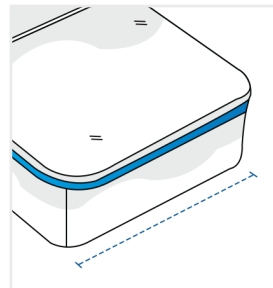
2. Width

4. Front Height

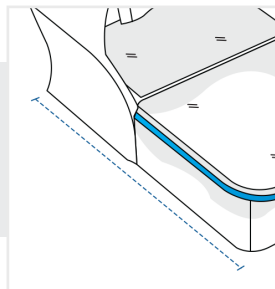
1. Height:
Height of the Outdoor Daybed



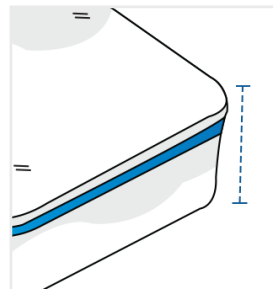
2. Width:
Width of the Outdoor Daybed



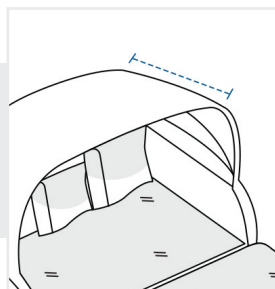
3. Depth:
Depth of the Outdoor Daybed



4. Front Height:
Front Height of the Outdoor Daybed



5. Hood Depth :
Hood Depth of the Outdoor Daybed



We encourage you to upload the image of the article you need the cover for - this helps our team ensure covers are designed keeping your requirements in mind.