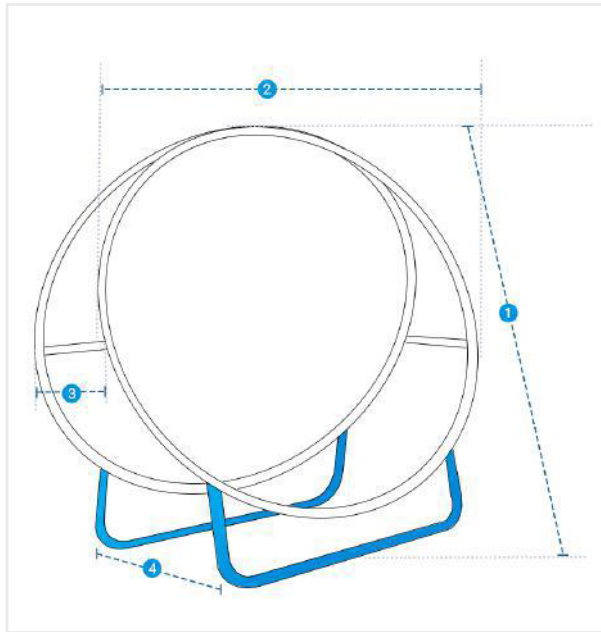


How to Measure Log Hoop Firewood Rack Cover

Measurement Instruction

- ✓ Give exact measurement from edge to edge.
- ✓ "We add upto 5 cm leeway on the given width/depth for easy pull-in and pull-out."
- ✓ The height dimensions will remain same as provided by you.



Measurement (cm)

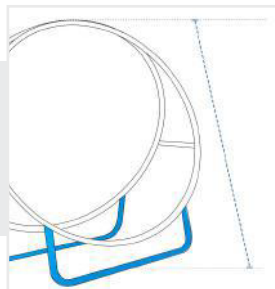
1. Slant Height

2. Diameter

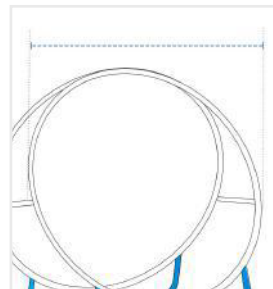
3. Middle Depth

4. Lower Depth

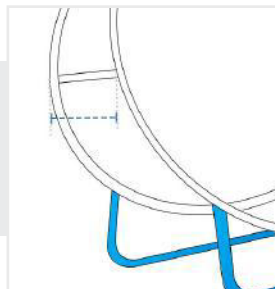
1. Slant Height:
Slant Height of the
Log Hoop Firewood Rack



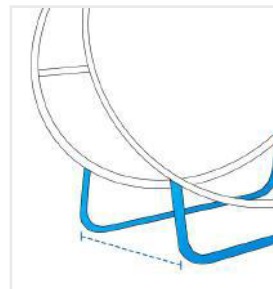
2. Diameter:
Diameter of the
Log Hoop Firewood Rack



3. Middle Depth:
Middle Depth of the
Log Hoop Firewood Rack



4. Lower Depth:
Lower Depth of the
Log Hoop Firewood Rack



We encourage you to upload the image of the article you need the cover for - this helps our team ensure covers are designed keeping your requirements in mind.