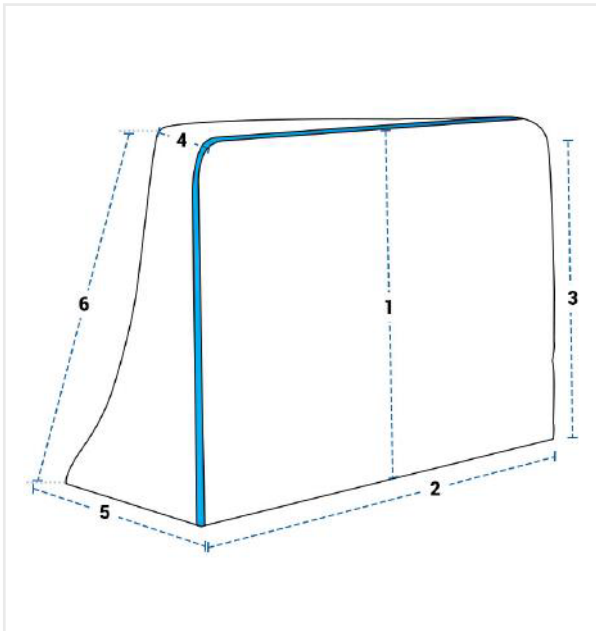


How to Measure Ice Hockey Net Cover

Measurement Instruction

- ✓ Give exact measurement from edge to edge.
- ✓ We add 2.5 to 5 cm leeway on the given width/depth for easy pull-in and pull-out.
- ✓ The height dimensions will remain same as provided by you.



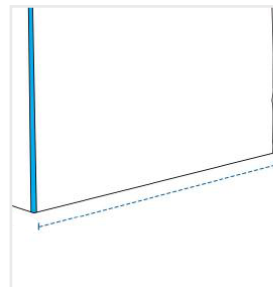
Measurement (cm)

1. Total Front Height	<input type="text"/>	2. Width	<input type="text"/>
3. Height from Bottom to Curve	<input type="text"/>	4. Top Depth	<input type="text"/>
5. Bottom Depth	<input type="text"/>	6. Slant Height	<input type="text"/>

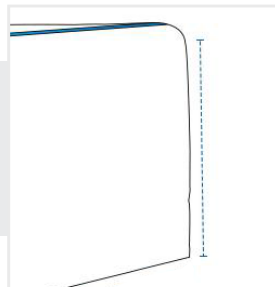
1. Total Front Height:
Total Front Height of the Ice Hockey Net



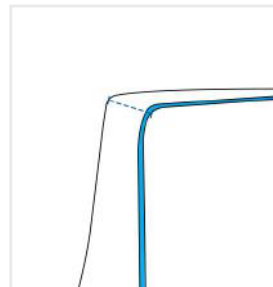
2. Width:
Width of the Ice Hockey Net



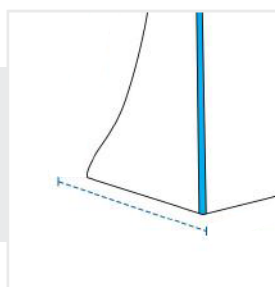
3. Height from Bottom to Curve:
Height from Bottom to Curve of the Ice Hockey Net



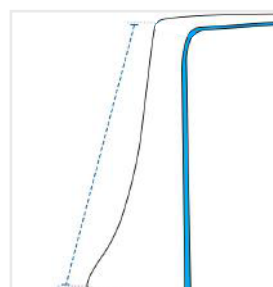
4 Top Depth:
Top Depth of the Ice Hockey Net



5. Bottom Depth:
Bottom Depth of the Ice Hockey Net



6. Slant Height:
Slant Height of the Ice Hockey Net



We encourage you to upload the image of the article you need the cover for - this helps our team ensure covers are designed keeping your requirements in mind.