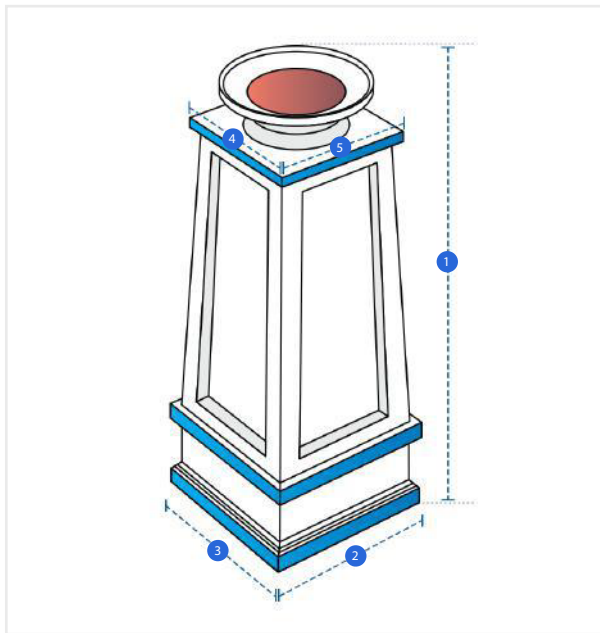


How to Measure Fire Column Covers - Design 6

Measurement Instruction

- ✓ Give exact measurement from edge to edge.
- ✓ "We add upto 5 cm leeway on the given width/depth for easy pull-in and pull-out."
- ✓ The height dimensions will remain same as provided by you.



Measurement (cm)

1. Height

2. Width

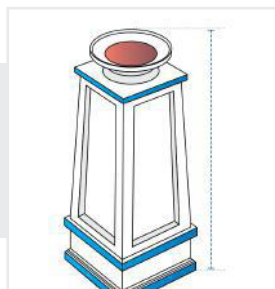
3. Depth

4. Upper Depth

5. Upper Width

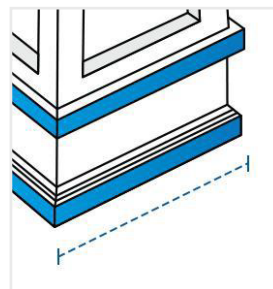
1. Height:

Height of the Fire Column



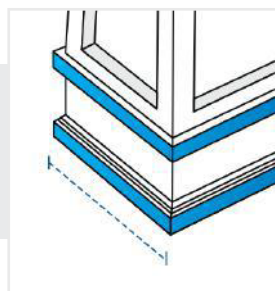
2. Width:

Width of the Fire Column



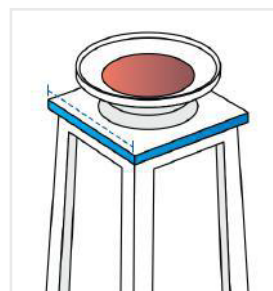
3. Depth:

Depth of the Fire Column



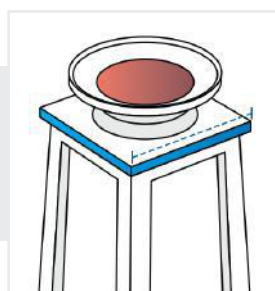
4. Upper Depth:

Upper Depth of the Fire Column



5. Upper Width:

Upper Width of the Fire Column



We encourage you to upload the image of the article you need the cover for - this helps our team ensure covers are designed keeping your requirements in mind.