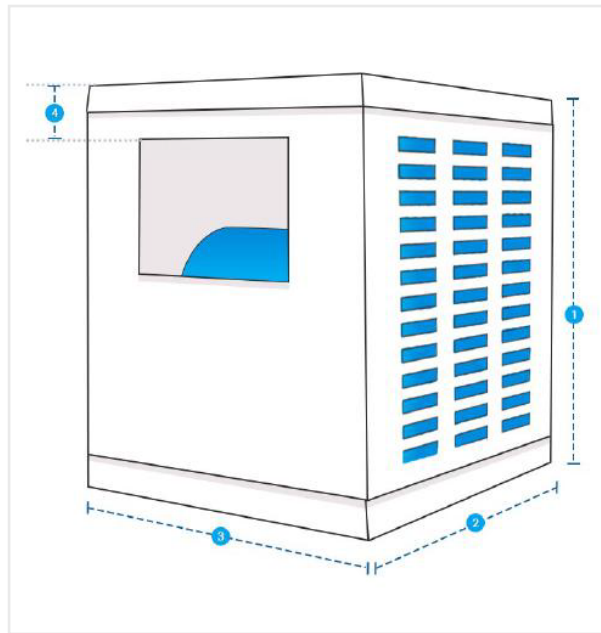


# How to Measure Custom Swamp Cooler Covers - Side Discharge

## Measurement Instruction

- ✓ Give exact measurement from edge to edge.
- ✓ We add 2.5 to 5 cm leeway on the given width/depth for easy pull-in and pull-out.
- ✓ The height dimensions will remain same as provided by you.
- ✓ All measurements will be done in cm.



### Measurement (cm)

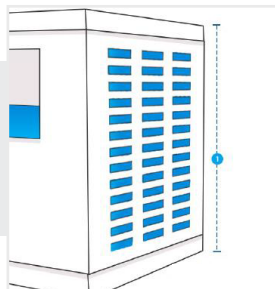
1. Height

2. Depth

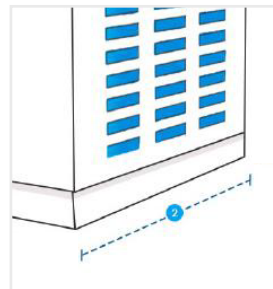
3. Width

4. Section Height

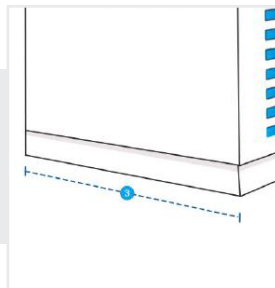
**1. Height:**  
Height of Swamp Cooler



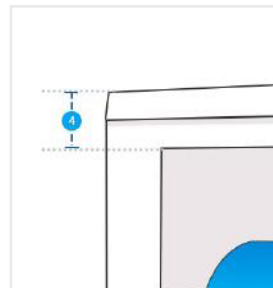
**2. Depth:**  
Depth of Swamp Cooler



**3. Width:**  
Width of Swamp Cooler



**4. Section Height:**  
Section Height of Swamp Cooler



We encourage you to upload the image of the article you need the cover for - this helps our team ensure covers are designed keeping your requirements in mind.