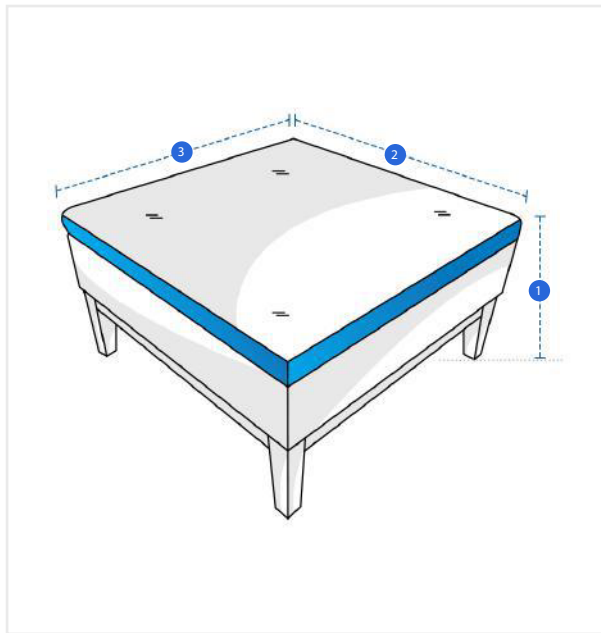


How to Measure Square Ottoman Covers

Measurement Instruction

- ✓ Give exact measurement from edge to edge.
- ✓ "We add upto 5 cm leeway on the given width/depth for easy pull-in and pull-out."
- ✓ The height dimensions will remain same as provided by you.



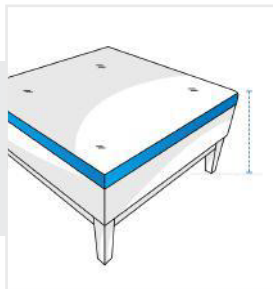
Measurement (cm)

1. Height

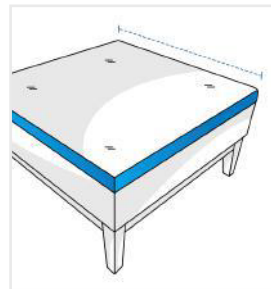
2. Width

3. Depth

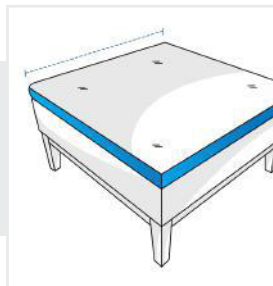
1. Height:
Height of the Ottoman



2. Width:
Width of the Ottoman



3. Depth:
Depth of the Ottoman



We encourage you to upload the image of the article you need the cover for - this helps our team ensure covers are designed keeping your requirements in mind.