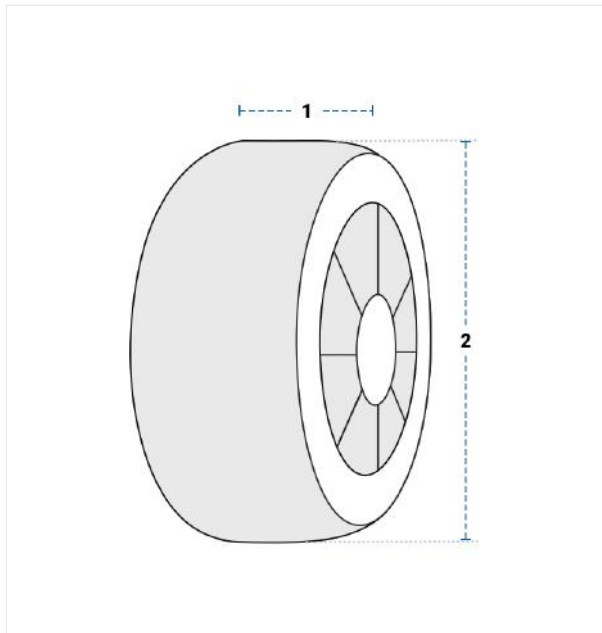


## How to Measure Custom Spare Tire Covers

### Measurement Instruction

- ✓ Give exact measurement from edge to edge.
- ✓ We add 2.5 to 5 cm leeway on the given width/depth for easy pull-in and pull-out.
- ✓ Sidewall Height of 5 cm will be included by default for perfect fit.
- ✓ All measurements will be done in cm.

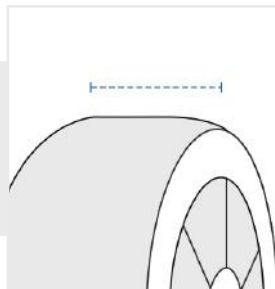


### Measurement (cm)

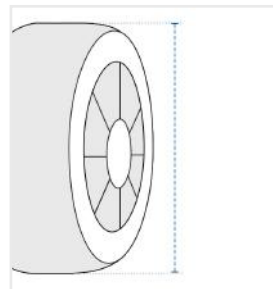
1. Thickness

2. Diameter

**1. Thickness :**  
Thickness of the  
Custom Spare Tire Covers



**2. Diameter :**  
Diameter of the  
Custom Spare Tire Covers



We encourage you to upload the image of the article you need the cover for - this helps our team ensure covers are designed keeping your requirements in mind.