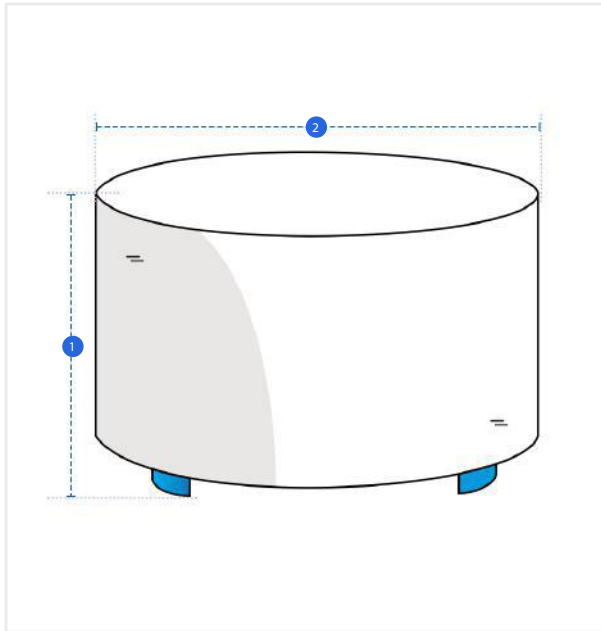


# How to Measure Round Ottoman Covers

## Measurement Instruction

- ✓ Give exact measurement from edge to edge.
- ✓ "We add upto 5 cm leeway on the given width/depth for easy pull-in and pull-out."
- ✓ The height dimensions will remain same as provided by you.

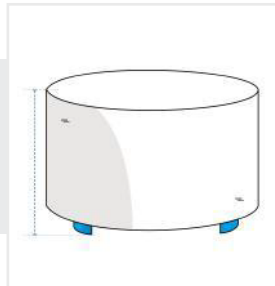


### Measurement (cm)

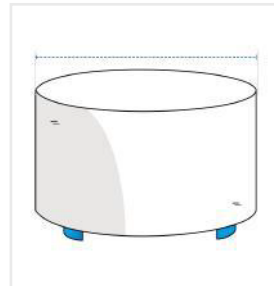
1. Height

2. Diameter

**1. Height:**  
Height of the Round Ottoman



**2. Diameter:**  
Diameter of the Round Ottoman



We encourage you to upload the image of the article you need the cover for - this helps our team ensure covers are designed keeping your requirements in mind.