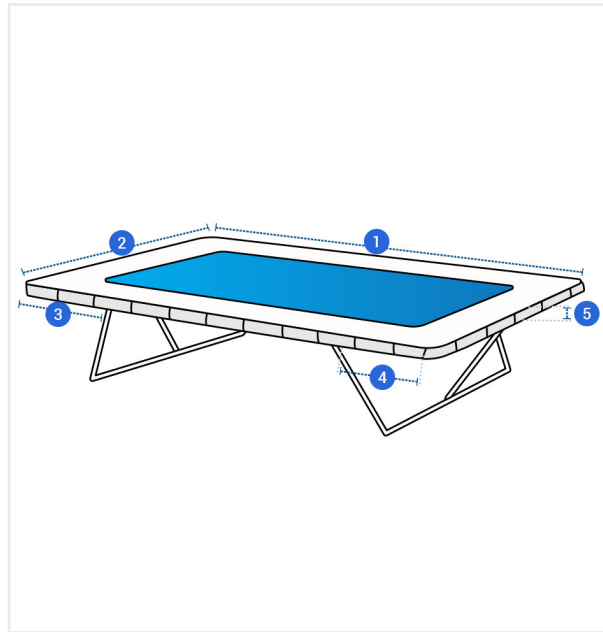


# How to Measure Rectangular / Square Trampoline Cover

## Measurement Instruction

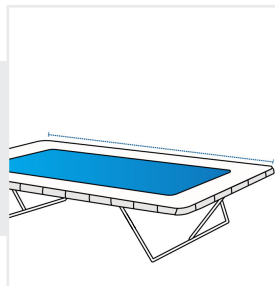
- ✓ Give exact measurement from edge to edge.
- ✓ We add 2.5 to 5 cm leeway on the given width/depth for easy pull-in and pull-out.
- ✓ The height dimensions will remain same as provided by you.



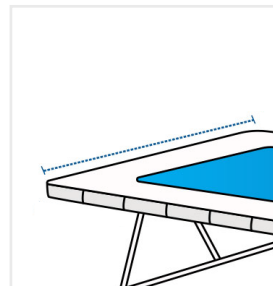
### Measurement (cm)

1. Width	<input type="text"/>	2. Depth	<input type="text"/>
3. Width from left corner to leg	<input type="text"/>	4. Width from right corner to leg	<input type="text"/>
5. Height	<input type="text"/>		

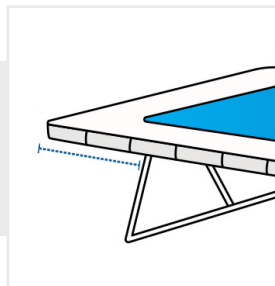
**1. Width:**  
Width of the Rectangular / Square Trampoline



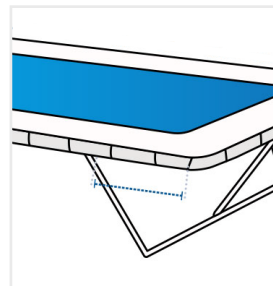
**2. Depth:**  
Depth of the Rectangular / Square Trampoline



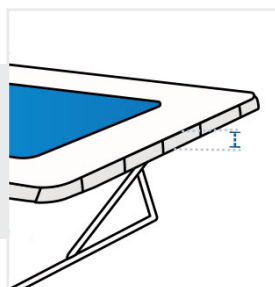
**3. Width from left corner to leg:**  
Width from left corner to leg of the Rectangular / Square Trampoline



**4. Width from right corner to leg:**  
Width from right corner to leg of the Rectangular / Square Trampoline



**5. Height:**  
Height of the Rectangular / Square Trampoline



We encourage you to upload the image of the article you need the cover for - this helps our team ensure covers are designed keeping your requirements in mind.