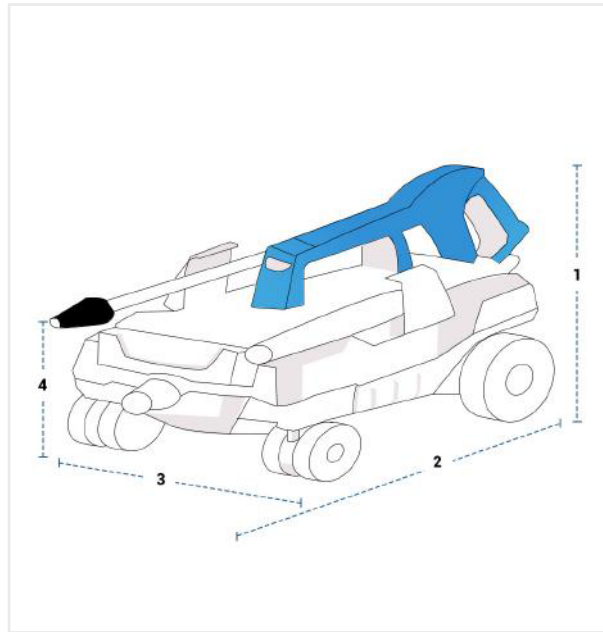


How to Measure Custom Pressure Washer Covers - Design 6

Measurement Instruction

- ✓ Give exact measurement from edge to edge.
- ✓ We add 2.5 to 5 cm leeway on the given width/depth for easy pull-in and pull-out.
- ✓ The height dimensions will remain same as provided by you.



Measurement (cm)

1. Back Height

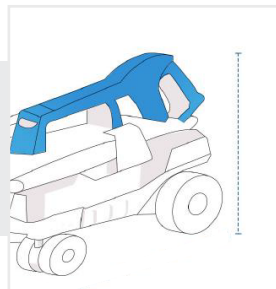
2. Total Depth

3. Width

4. Front Height

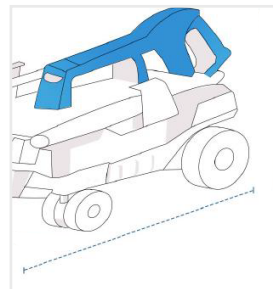
1. Back Height:

Back Height of the Custom Pressure Washer



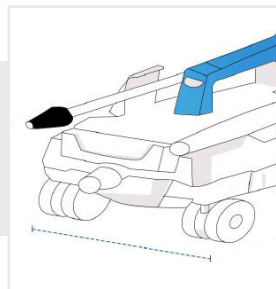
2. Total Depth:

Total Depth of the Custom Pressure Washer



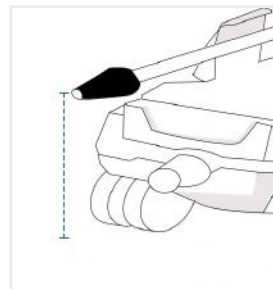
3. Width:

Width of the Custom Pressure Washer



4. Front Height:

Front Height of the Custom Pressure Washer



We encourage you to upload the image of the article you need the cover for - this helps our team ensure covers are designed keeping your requirements in mind.