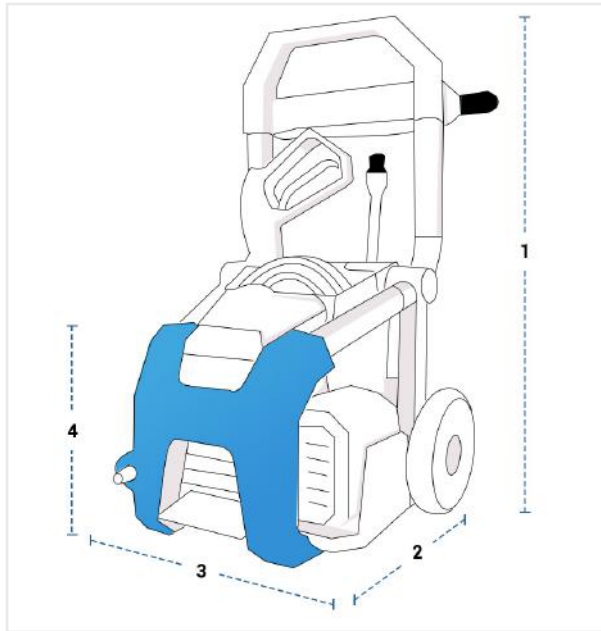


How to Measure Custom Pressure Washer Covers - Design 4

Measurement Instruction

- ✓ Give exact measurement from edge to edge.
- ✓ We add 2.5 to 5 cm leeway on the given width/depth for easy pull-in and pull-out.
- ✓ The height dimensions will remain same as provided by you.
- ✓ All measurements will be done in cm.



Measurement (cm)

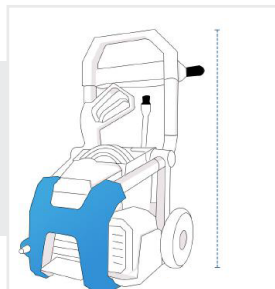
1. Height

2. Total Depth

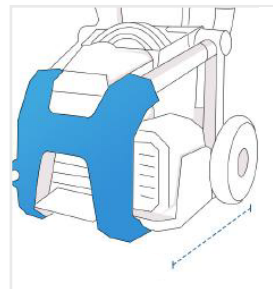
3. Width

4. Front Height

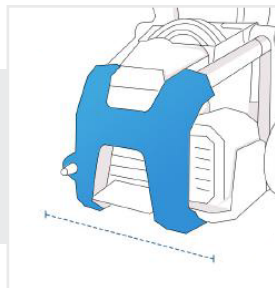
1. Height:
Height of Pressure Washer



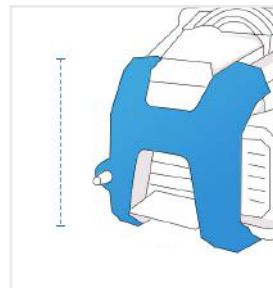
2. Total Depth:
Total Depth Pressure Washer



3. Width:
Width of Pressure Washer



4. Front Height:
Front Height of Pressure Washer



We encourage you to upload the image of the article you need the cover for - this helps our team ensure covers are designed keeping your requirements in mind.