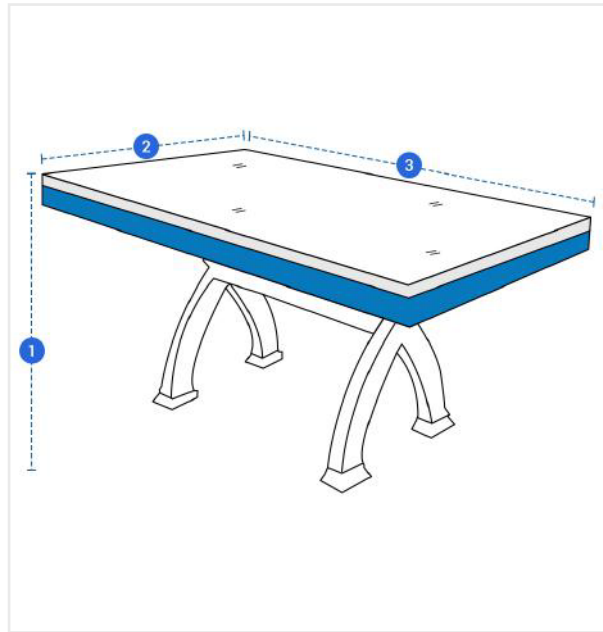


How to Measure Custom Poker Table Cover - Rectangular / Square

Measurement Instruction

- ✓ Give exact measurement from edge to edge.
- ✓ We add 2.5 to 5 cm leeway on the given width/depth for easy pull-in and pull-out.
- ✓ The height dimensions will remain same as provided by you.



Measurement (cm)

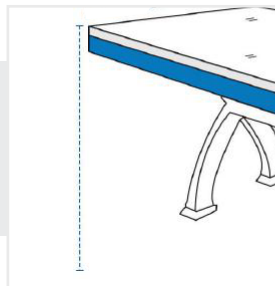
1. Height

2. Length

3. Width

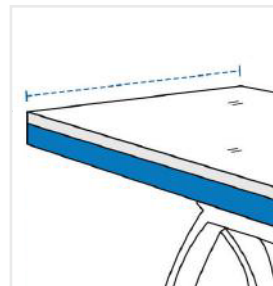
1. Height:

Height of the Custom Poker Table - Rectangular / Square



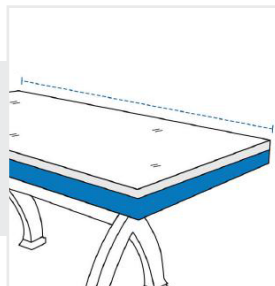
2. Length:

Length of the Custom Poker Table - Rectangular / Square



3. Width:

Width of the Custom Poker Table - Rectangular / Square



We encourage you to upload the image of the article you need the cover for - this helps our team ensure covers are designed keeping your requirements in mind.