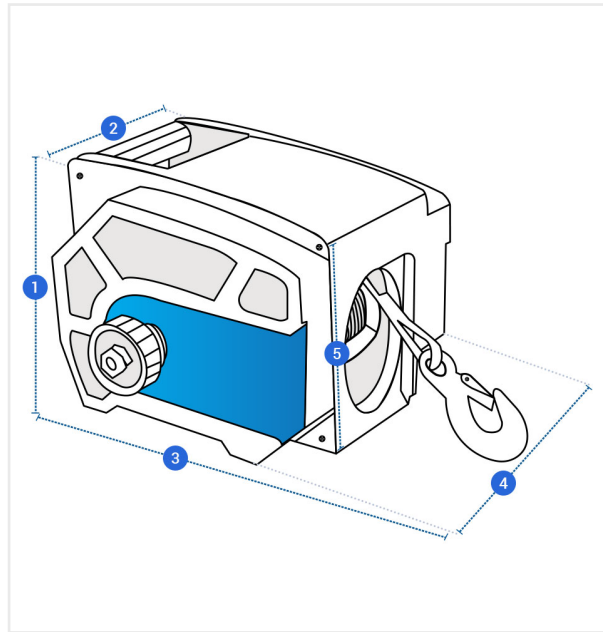


How to Measure Custom Master Lock Portable Electric Winch Cover

Measurement Instruction

- ✓ Give exact measurement from edge to edge.
- ✓ We add 2.5 to 5 cm leeway on the given width/depth for easy pull-in and pull-out.
- ✓ The height dimensions will remain same as provided by you.



Measurement (cm)

1. Back Height

2. Back Width

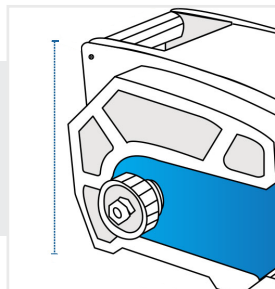
3. Depth

4. Front Width

5. Front Height

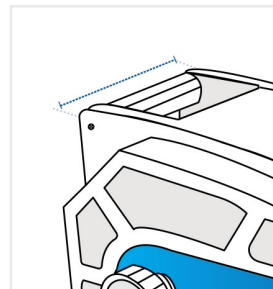
1. Back Height:

Back Height of the Custom Master Lock Portable Electric Winch



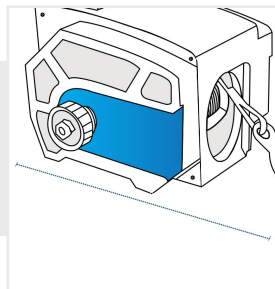
2. Back Width:

Back Width of the Custom Master Lock Portable Electric Winch



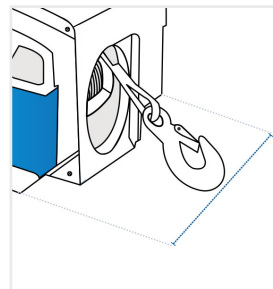
3. Depth:

Depth of the Custom Master Lock Portable Electric Winch



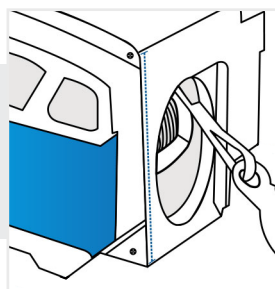
4. Front Width:

Front Width of the Custom Master Lock Portable Electric Winch



5. Front Height:

Front Height of the Custom Master Lock Portable Electric Winch



We encourage you to upload the image of the article you need the cover for - this helps our team ensure covers are designed keeping your requirements in mind.