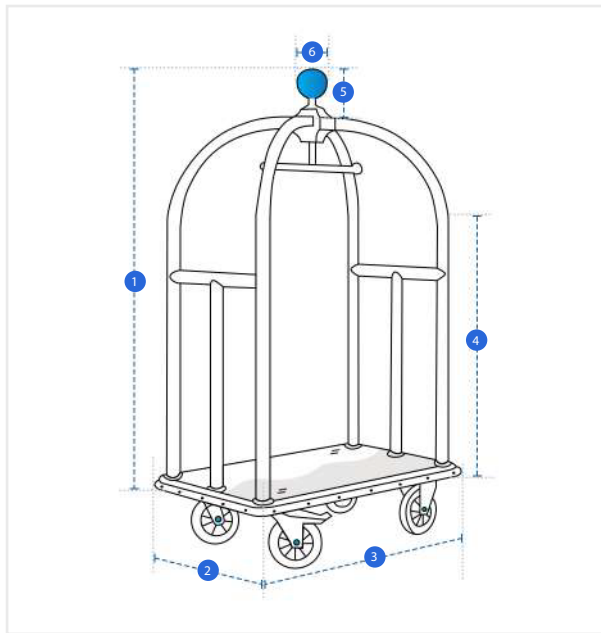


How to Measure Luggage Cart Cover

Measurement Instruction

- ✓ Give exact measurement from edge to edge.
- ✓ We add 2.5 to 5 cm leeway on the given width/depth for easy pull-in and pull-out.
- ✓ The height dimensions will remain same as provided by you.



Measurement (cm)

1. Height

2. Depth

3. Width

4. Height till Curve

5. Knob Height

6. Knob Width

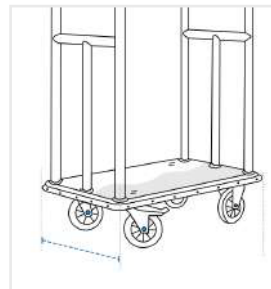
1. Height:

Height of the Luggage Cart



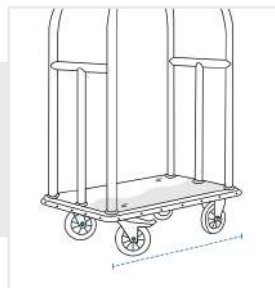
2. Depth:

Depth of the Luggage Cart



3. Width:

Width of the Luggage Cart



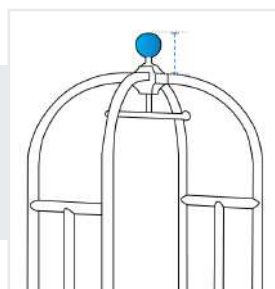
4. Height till Curve:

Height till Curve of the Luggage Cart



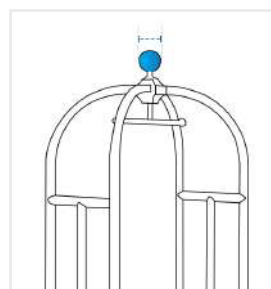
5. Knob Height:

Knob Height of the Luggage Cart



6. Knob Width:

Knob Width of the Luggage Cart



We encourage you to upload the image of the article you need the cover for - this helps our team ensure covers are designed keeping your requirements in mind.