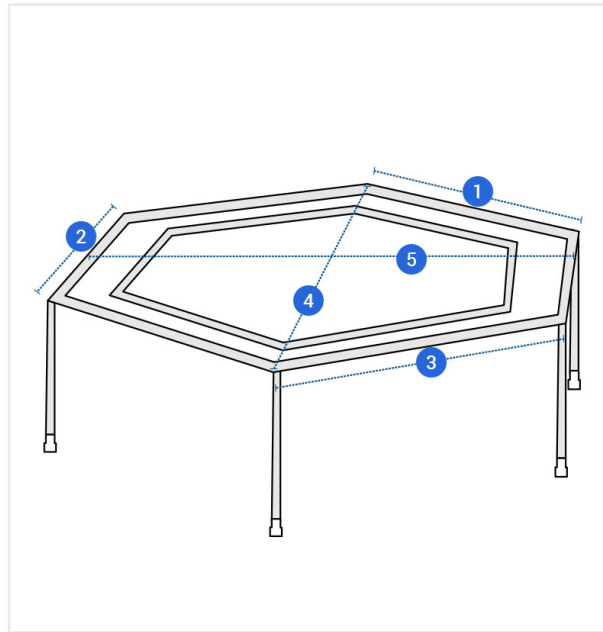


# How to Measure Custom Hexagonal Trampoline Cover

## Measurement Instruction

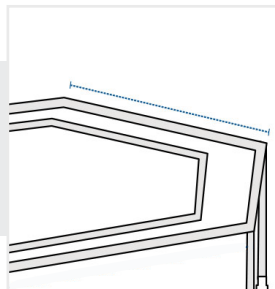
- ✓ Give exact measurement from edge to edge.
- ✓ We add 2.5 to 5 cm leeway on the given width/depth for easy pull-in and pull-out.
- ✓ The height dimensions will remain same as provided by you.



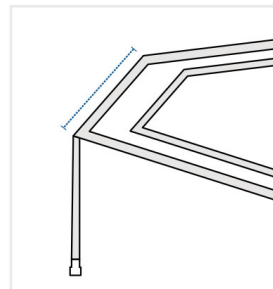
### Measurement (cm)

1. Side Length #1	<input type="text"/>	2. Side Length #2	<input type="text"/>
3. Side Length #3	<input type="text"/>	4. Total Depth	<input type="text"/>
5. Total Width	<input type="text"/>		

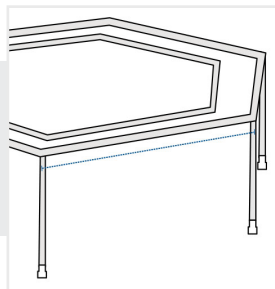
**1. Side Length #1:**  
Side Length (Side #1)



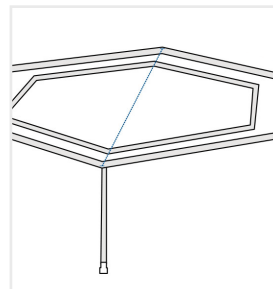
**2. Side Length #2:**  
Side Length (Side #2)



**3. Side Length #3:**  
Side Length (Side #3)



**4. Total Depth:**  
Total Depth of the Custom Hexagonal Trampoline



**5. Total Width:**  
Total Width of the Custom Hexagonal Trampoline



We encourage you to upload the image of the article you need the cover for - this helps our team ensure covers are designed keeping your requirements in mind.