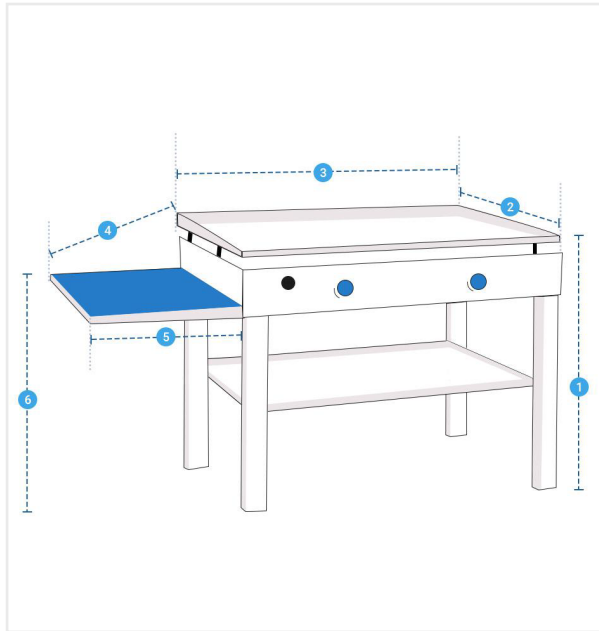


# How to Measure Custom Griddle Covers - Design 1

## Measurement Instruction

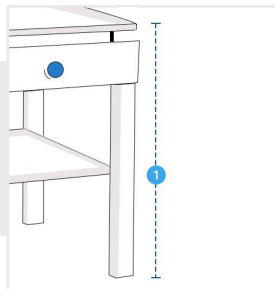
- ✓ Give exact measurement from edge to edge.
- ✓ We add 2.5 to 5 cm leeway on the given width/depth for easy pull-in and pull-out.
- ✓ The height dimensions will remain same as provided by you.
- ✓ All measurements will be done in cm.



### Measurement (cm)

- |                     |                      |   |                      |
|---------------------|----------------------|---|----------------------|
| 1. Total height     | <input type="text"/> | 2. Depth of Griddle                                       | <input type="text"/> |
| 3. Width of Griddle | <input type="text"/> | 4. Angle Distance from top of Griddle to outside of shelf | <input type="text"/> |
| 5. Width of Shelf   | <input type="text"/> | 6. Height (Shelf to Ground)                               | <input type="text"/> |

**1. Total height:**  
Total height of Griddle



**2. Depth:**  
Depth of Griddle



**3. Width:**  
Width of Griddle



**4. Angle Distance from top to outside of shelf:**  
Angle Distance from top to outside of shelf of Griddle



We encourage you to upload the image of the article you need the cover for - this helps our team ensure covers are designed keeping your requirements in mind.

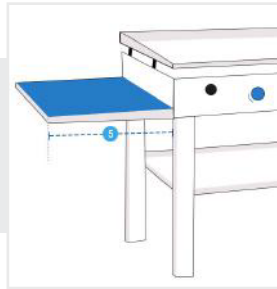
## How to Measure Custom Griddle Covers - Design 1

### Measurement Instruction

- ✓ Give exact measurement from edge to edge.
- ✓ We add 1" to 2" leeway on the given width/depth for easy pull-in and pull-out.
- ✓ The height dimensions will remain same as provided by you.
- ✓ All measurements will be done in inches.

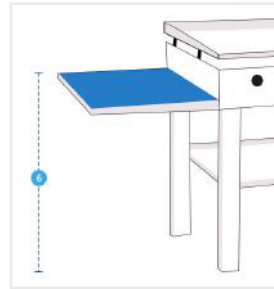
#### 5. Width of Shelf:

Width of shelf of the Griddle



#### 6. Height (Shelf to Shelf):

Height (Shelf to Shelf) of the Griddle



We encourage you to upload the image of the article you need the cover for - this helps our team ensure covers are designed keeping your requirements in mind.