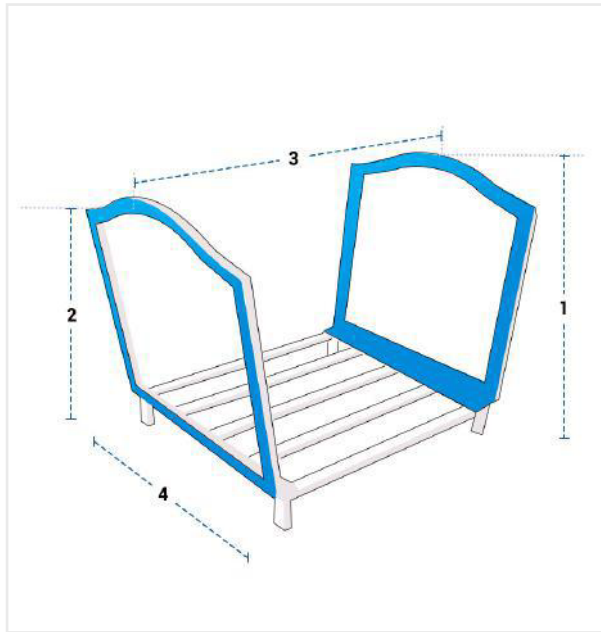


# How to Measure Custom Firewood Rack Cover - Design 4

## Measurement Instruction

- ✓ Give exact measurement from edge to edge.
- ✓ "We add upto 5 cm leeway on the given width/depth for easy pull-in and pull-out."
- ✓ The height dimensions will remain same as provided by you.



### Measurement (cm)

1. Height

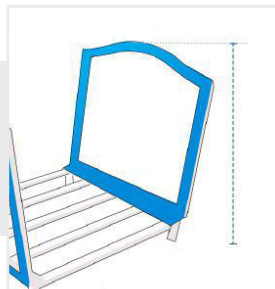
2. Height till Edge

3. Top Width

4. Depth

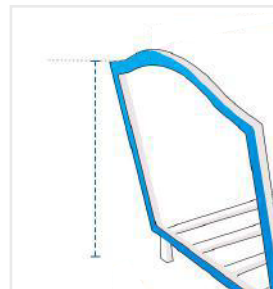
#### 1. Height:

Height of the Custom Firewood Rack



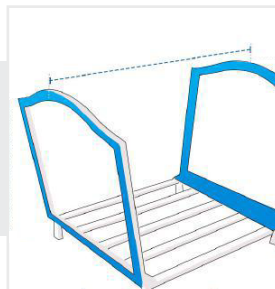
#### 2. Height till Edge:

Height till Edge of the Custom Firewood Rack



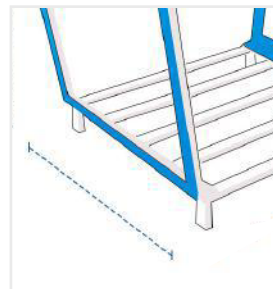
#### 3. Top Width:

Top Width of the Custom Firewood Rack



#### 4. Depth:

Depth of the Custom Firewood Rack



We encourage you to upload the image of the article you need the cover for - this helps our team ensure covers are designed keeping your requirements in mind.