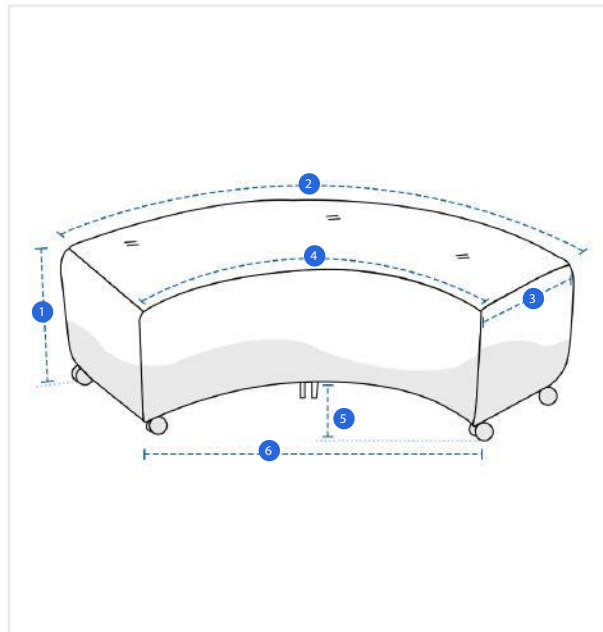


# How to Measure Curved Ottoman Covers

## Measurement Instruction

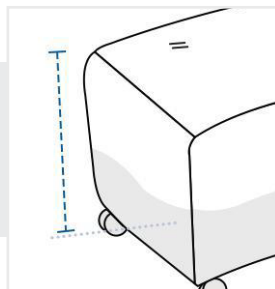
- ✓ Give exact measurement from edge to edge.
- ✓ "We add upto 5 cm leeway on the given width/depth for easy pull-in and pull-out."
- ✓ The height dimensions will remain same as provided by you.



### Measurement (cm)

1. Height	<input type="text"/>	2. Curved Width	<input type="text"/>
3. Depth	<input type="text"/>	4. Front Curved Width	<input type="text"/>
5. Fronth Straight Depth	<input type="text"/>	6. Front Width	<input type="text"/>

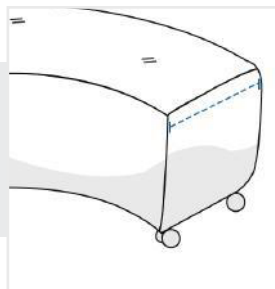
**1. Height:**  
Height of the Curved Ottoman



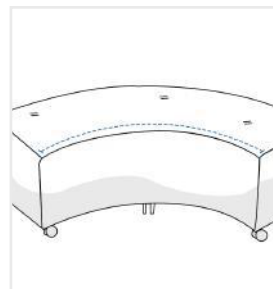
**2. Curved Width:**  
Curved Width of the Curved Ottoman



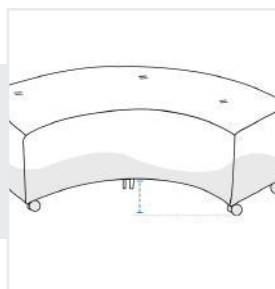
**3. Depth:**  
Depth of the Curved Ottoman



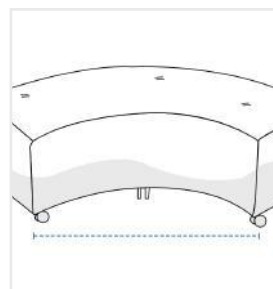
**4. Front Curved Width:**  
Front Curved Width of the Curved Ottoman



**5. Fronth Straight Depth:**  
Front Straight Depth of the Curved Ottoman



**6. Front Width:**  
Front Width of the Curved Ottoman



We encourage you to upload the image of the article you need the cover for - this helps our team ensure covers are designed keeping your requirements in mind.