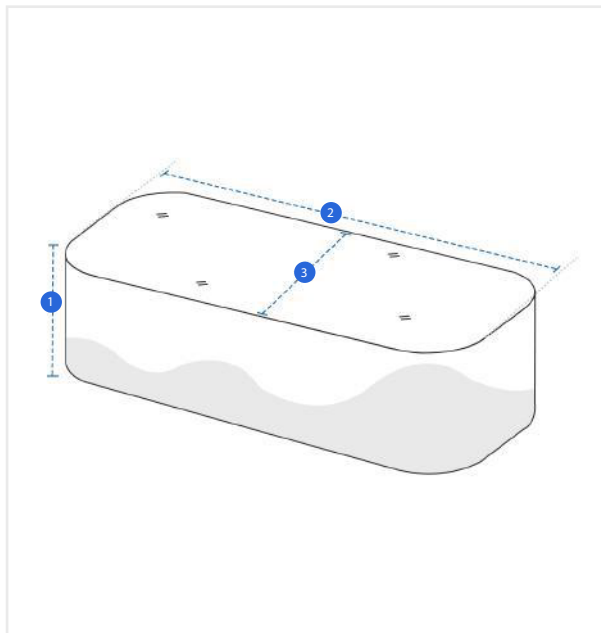


## How to Measure Custom Covers - Design 2

### Measurement Instruction

- ✓ Give exact measurement from edge to edge.
- ✓ "We add upto 5 cm leeway on the given width/depth for easy pull-in and pull-out."
- ✓ The height dimensions will remain same as provided by you.



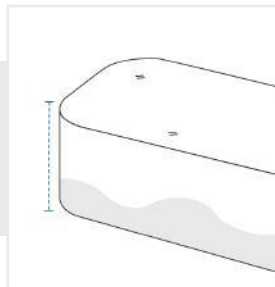
### Measurement (cm)

1. Height

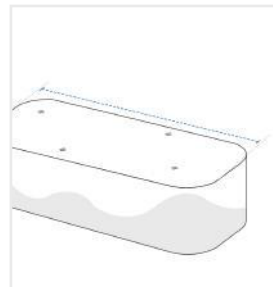
2. Width

3. Depth

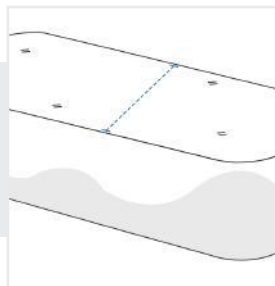
**1. Height:**  
Height of the Product



**2. Width:**  
Width of the Product



**3. Depth:**  
Depth of the Product



We encourage you to upload the image of the article you need the cover for - this helps our team ensure covers are designed keeping your requirements in mind.