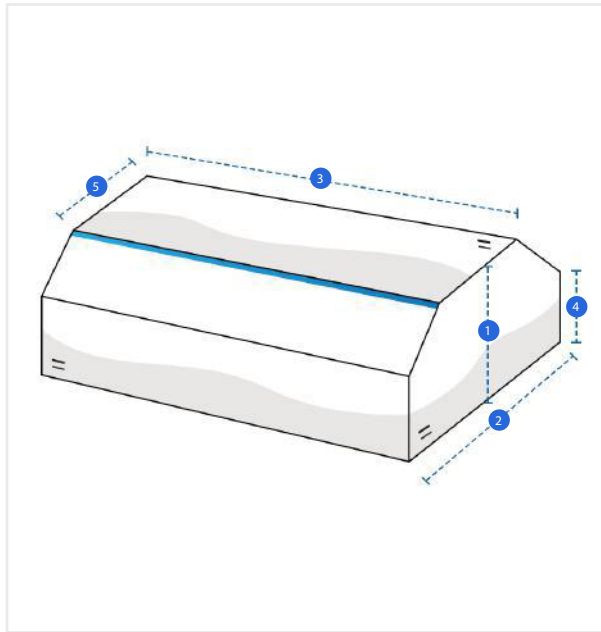


## How to Measure Custom Covers - Design 11

### Measurement Instruction

- ✓ Give exact measurement from edge to edge.
- ✓ "We add upto 5 cm leeway on the given width/depth for easy pull-in and pull-out."
- ✓ The height dimensions will remain same as provided by you.



### Measurement (cm)

1. Height

2. Total Depth

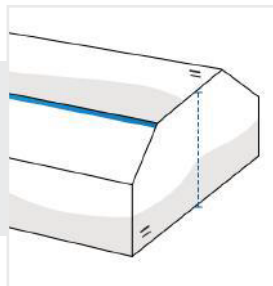
3. Width

4. Front Height

5. Depth of Top

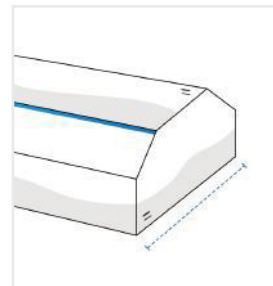
#### 1. Height:

Height of the Product



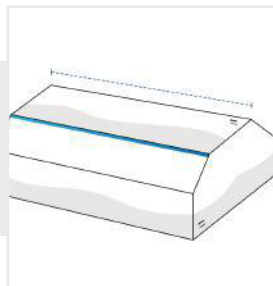
#### 2. Total Depth:

Total Depth of the Product



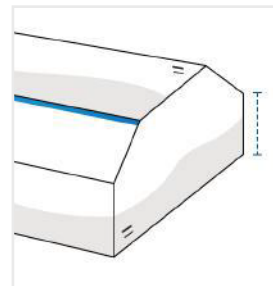
#### 3. Width:

Width of the Product



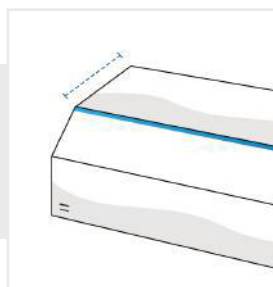
#### 4. Front Height:

Front Height of the Product



#### 5. Depth of Top:

Depth of the Product



We encourage you to upload the image of the article you need the cover for - this helps our team ensure covers are designed keeping your requirements in mind.