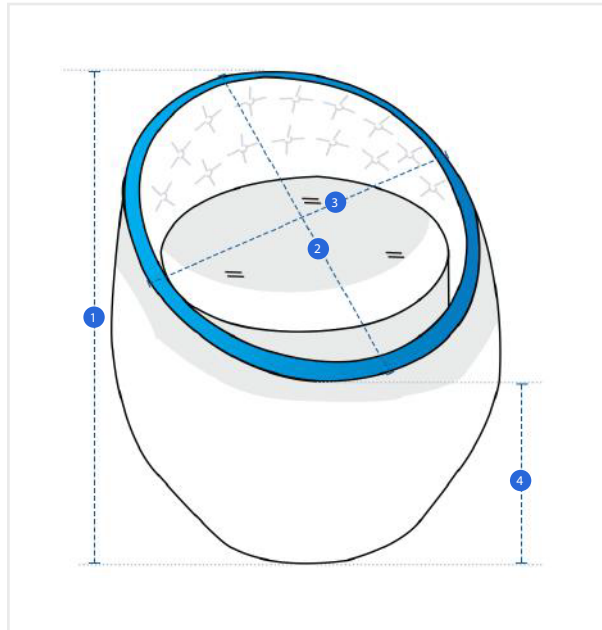


## How to Measure Chair Cover - Design 23

### Measurement Instruction

- ✓ Give exact measurement from edge to edge.
- ✓ We add 2.5 to 5 cm leeway on the given width/depth for easy pull-in and pull-out.
- ✓ The height dimensions will remain same as provided by you.



### Measurement (cm)

1. Height

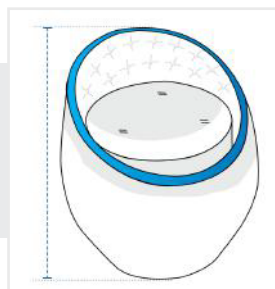
2. Diameter #1

3. Diameter #2

4. Front Height

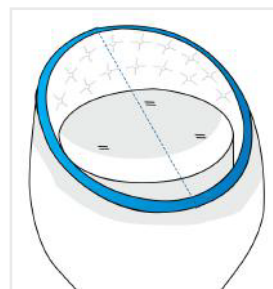
#### 1. Height:

Height of the Chair



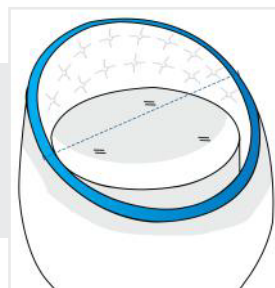
#### 2. Diameter #1:

Diameter #1 of the Chair



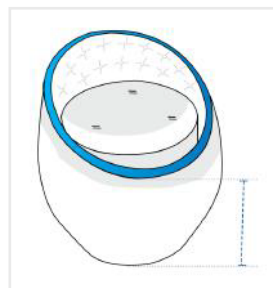
#### 3. Diameter #2:

Diameter #2 of the Chair



#### 4. Front Height:

Front Height of the Chair



We encourage you to upload the image of the article you need the cover for - this helps our team ensure covers are designed keeping your requirements in mind.