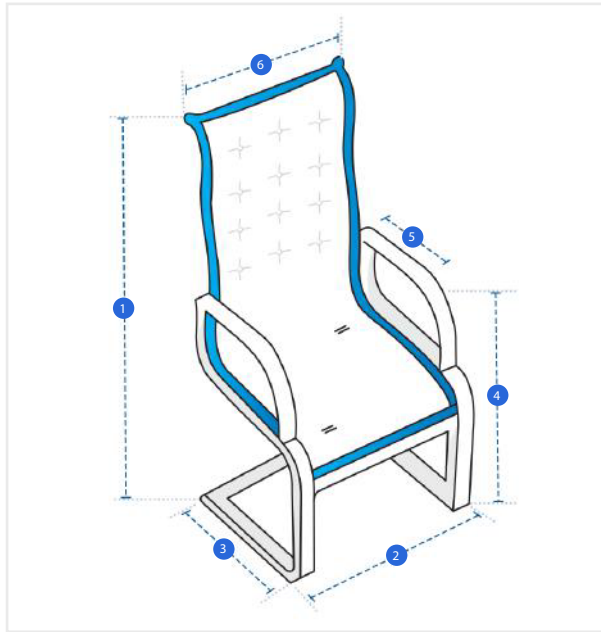


How to Measure Chair Cover - Design 18

Measurement Instruction

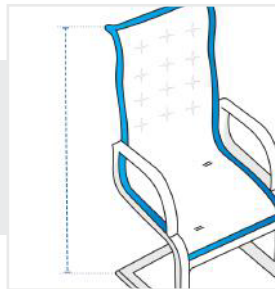
- ✓ Give exact measurement from edge to edge.
- ✓ We add 2.5 to 5 cm leeway on the given width/depth for easy pull-in and pull-out.
- ✓ The height dimensions will remain same as provided by you.



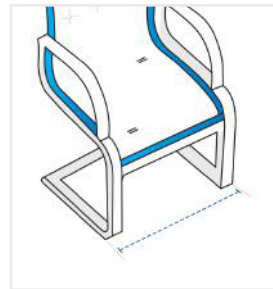
Measurement (cm)

1. Height	<input type="text"/>	2. Width	<input type="text"/>
3. Depth	<input type="text"/>	4. Front Height	<input type="text"/>
5. Arm to Back Depth	<input type="text"/>	6. Back Width	<input type="text"/>

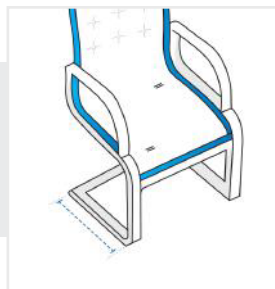
1. Height:
Height of the Chair



2. Width:
Width of the Chair



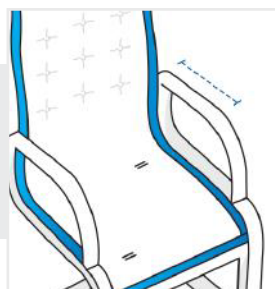
3. Depth:
Depth of the Chair



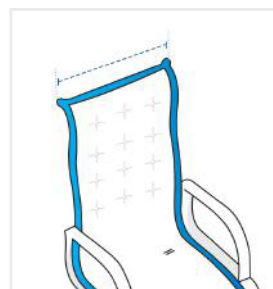
4. Front Height:
Front Height - Ground to Arm
(Or ground to seat if no arm)



5. Arm to Back Depth:
Arm to Back Depth of the chair



6. Back width:
Back Width of the Chair



We encourage you to upload the image of the article you need the cover for - this helps our team ensure covers are designed keeping your requirements in mind.