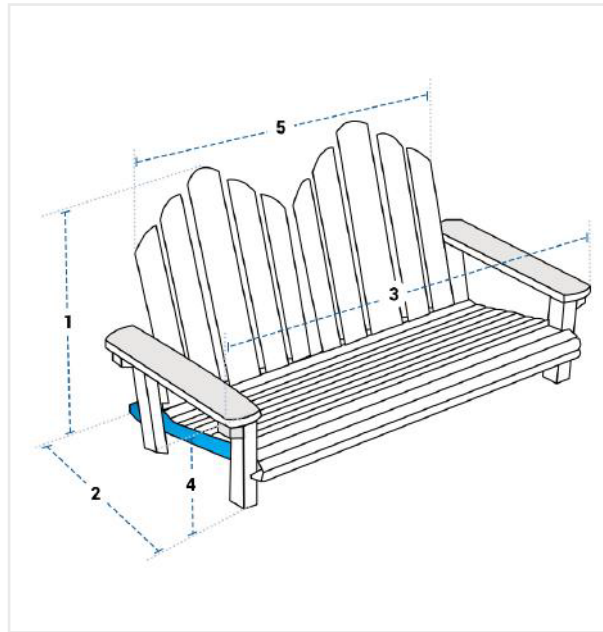


How to Measure Custom Adirondack Chair Covers - Design 5

Measurement Instruction

- ✓ Give exact measurement from edge to edge.
- ✓ We add 2.5 to 5 cm leeway on the given width/depth for easy pull-in and pull-out.
- ✓ The height dimensions will remain same as provided by you.



Measurement (cm)

1. Back Height

2. Depth

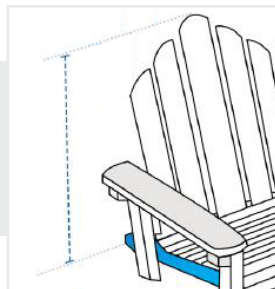
3. Front Width

4. Front Height

5. Back Width

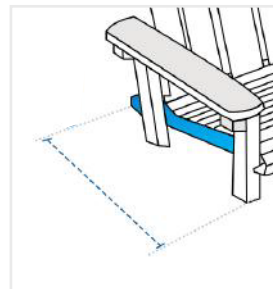
1. Back Height:

Back Height of the Custom Adirondack Chair



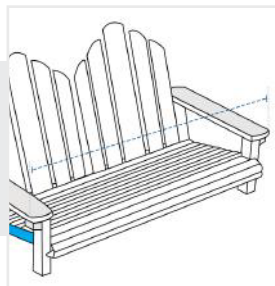
2. Depth:

Depth of the Custom Adirondack Chair



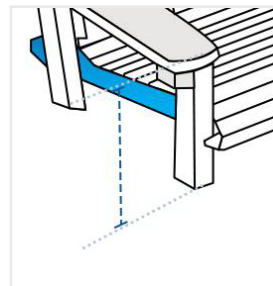
3. Front Width:

Front Width of the Custom Adirondack Chair



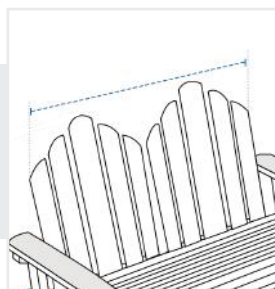
4. Front Height:

Front Height of the Custom Adirondack Chair



5. Back Width:

Back Width of the Custom Adirondack Chair



We encourage you to upload the image of the article you need the cover for - this helps our team ensure covers are designed keeping your requirements in mind.