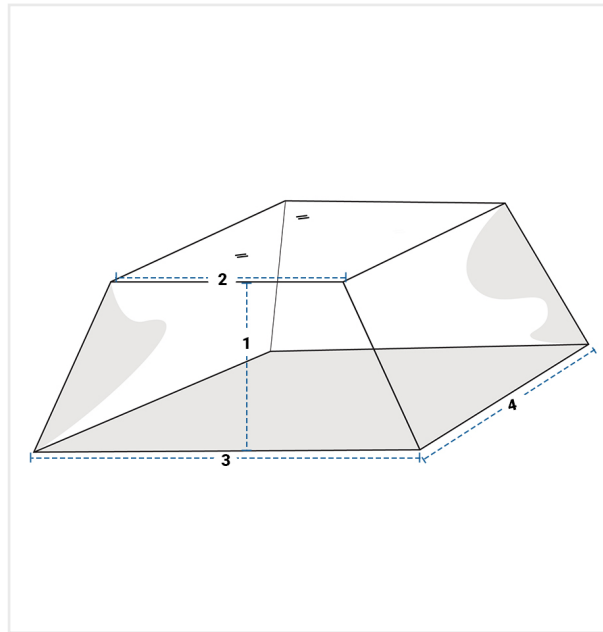


How to Measure Custom Covers - Design 21

Measurement Instruction

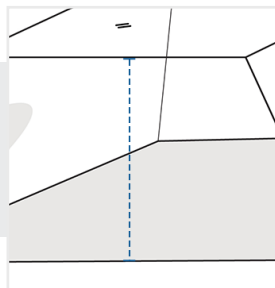
- ✓ Give exact measurement from edge to edge.
- ✓ We add 1.3 to 3.8 cm leeway on the given width/depth for easy pull-in and pull-out.
- ✓ The height dimensions will remain same as provided by you.



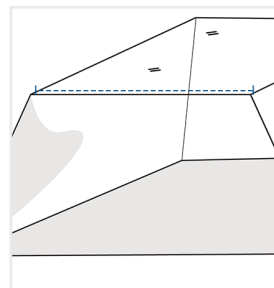
Measurement (cm)

1. Height	<input type="text"/>	2. Top Width	<input type="text"/>
3. Bottom Width	<input type="text"/>	4. Depth	<input type="text"/>

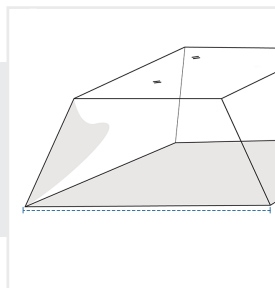
1. Height:
Height of the Custom Cover



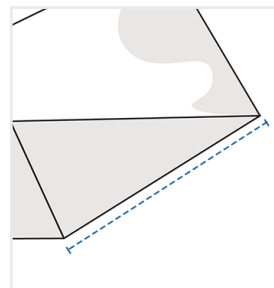
2. Width:
Width of the Custom Cover



3. Bottom Width:
Bottom Width of the Custom Cover



4. Depth:
Depth of the Outdoor Daybed



We encourage you to upload the image of the article you need the cover for - this helps our team ensure covers are designed keeping your requirements in mind.