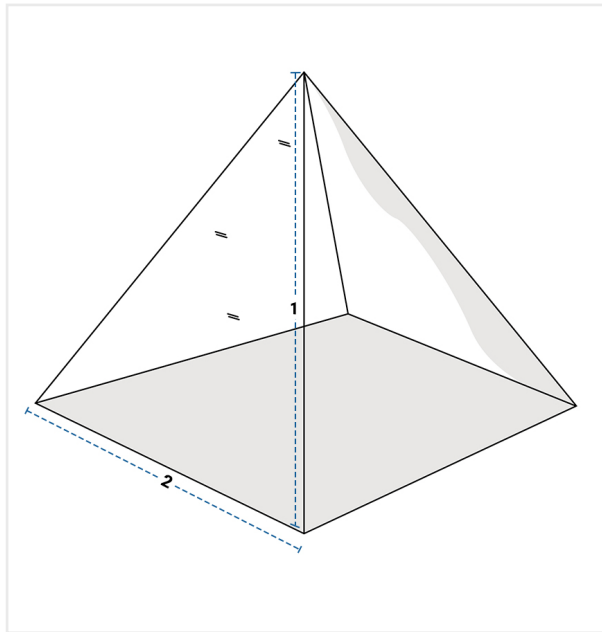


How to Measure Custom Covers - Design 18

Measurement Instruction

- ✓ Give exact measurement from edge to edge.
- ✓ We add 1.3 to 3.8 cm leeway on the given width/depth for easy pull-in and pull-out.
- ✓ The height dimensions will remain same as provided by you.



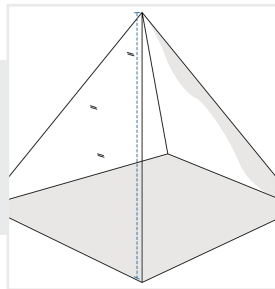
Measurement (cm)

1. Slant Height

2. Base Width

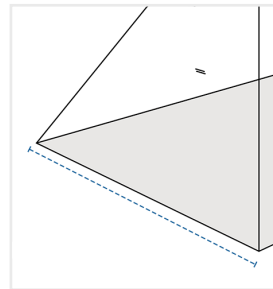
1. Slant Height:

Slant Height of the Custom Cover



2. Base Width:

Base Width of the Custom Cover



We encourage you to upload the image of the article you need the cover for - this helps our team ensure covers are designed keeping your requirements in mind.