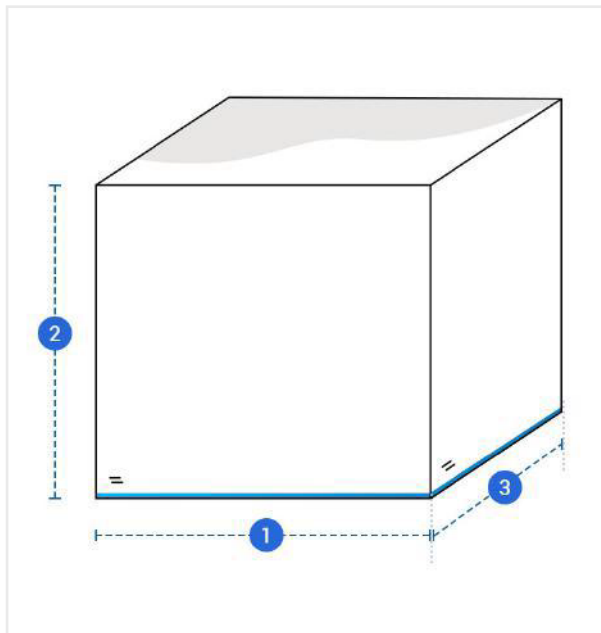


How to Measure Cube Cushion Cover

Measurement Instruction

- ✓ Give exact measurement from edge to edge.
- ✓ We add 0 to -2.5 cm size variance on the given width/depth for perfect fit.
- ✓ The height dimensions will remain same as provided by you.



Measurement (cm)

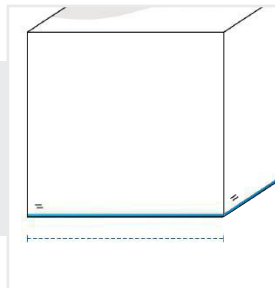
1. Length

2. Width

3. Thickness

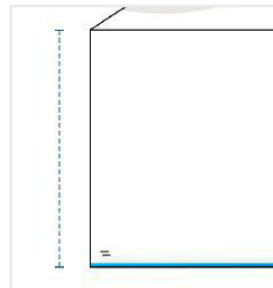
1. Length:

Length of the Cube Cushion



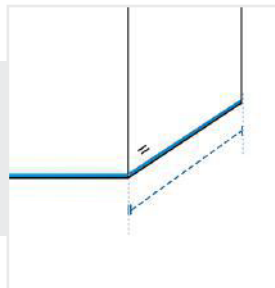
2. Width:

Width of the Cube Cushion



3. Thickness:

Thickness of the Cube Cushion



We encourage you to upload the image of the article you need the cover for - this helps our team ensure covers are designed keeping your requirements in mind.