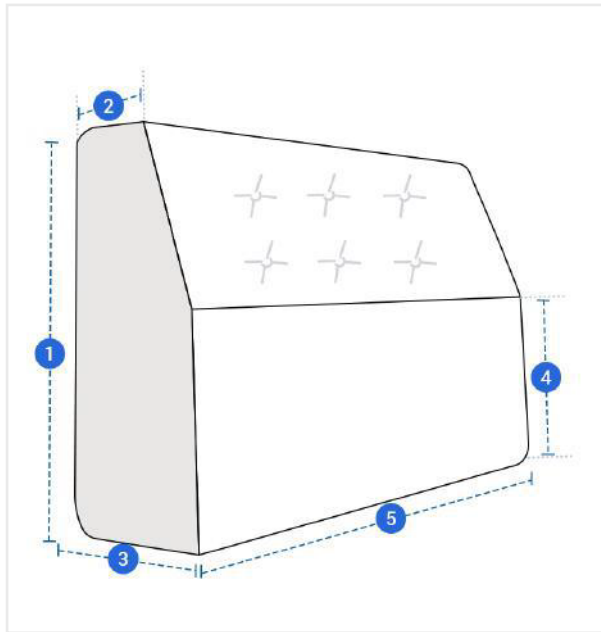


## How to Measure Clipped Bolster Cushion Cover

### Measurement Instruction

- ✓ Give exact measurement from edge to edge.
- ✓ We add 0 to -2.5 cm size variance on the given width/depth for perfect fit.
- ✓ The height dimensions will remain same as provided by you.



### Measurement (cm)

1. Back Height

3. Bottom Width

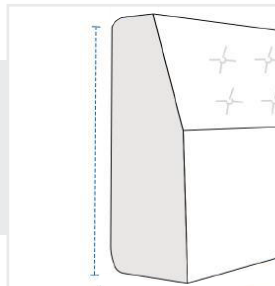
5. Length

2. Top Width

4. Front Height

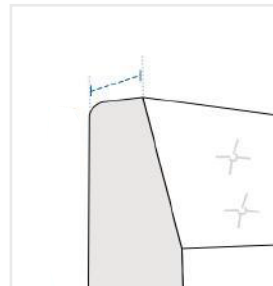
#### 1. Back Height:

Back Height of the Clipped Bolster Cushion



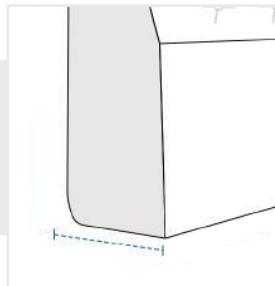
#### 2. Top Width:

Top Width of the Clipped Bolster Cushion



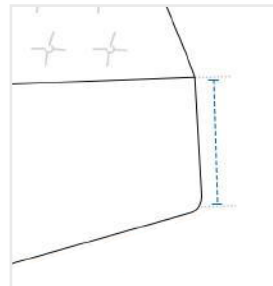
#### 3. Bottom Width:

Bottom Width of the Clipped Bolster Cushion



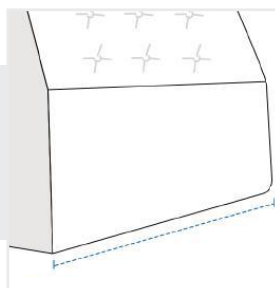
#### 4. Front Height:

Front Height of the Clipped Bolster Cushion



#### 5. Length:

Length of the Clipped Bolster Cushion



We encourage you to upload the image of the article you need the cover for - this helps our team ensure covers are designed keeping your requirements in mind.